

ANDERSEN CORPORATION

A-SERIES REINFORCED MULLION

ASSEMBLY



100 FOURTH AVE NORTH
BAYPORT, MN 55003-1096
PH: (651) 264-5150 FX: (651) 264-5485

TITLE: A SERIES REINFORCED MULLION ASSEMBLY GENERAL AND INSTALLATION NOTES
PREPARED BY: BUILDING DROPS, INC. 398 E. DANIA BEACH BLVD. #338 DANIA BEACH, FL 33004
PH: (954) 399-8478 FX: (954) 744-4738

INSTALLATION NOTES:

- ONE (1) INSTALLATION ANCHOR IS REQUIRED AT EACH ANCHOR LOCATION SHOWN, UNLESS OTHERWISE STATED.
- THE NUMBER OF INSTALLATION ANCHORS DEPICTED IS THE MINIMUM NUMBER OF ANCHORS TO BE USED FOR PRODUCT INSTALLATION.
- INSTALL INDIVIDUAL INSTALLATION ANCHORS WITHIN A TOLERANCE OF ±1/2 INCH OF THE DEPICTED LOCATION IN THE ANCHOR LAYOUT DETAIL (I.E., WITHOUT CONSIDERATION OF TOLERANCES). TOLERANCES ARE NOT CUMULATIVE FROM ONE INSTALLATION ANCHOR TO THE NEXT.
- FOR INSTALLATION THROUGH 2X BUCK USE #10 WOOD SCREWS. INSTALLATION SHALL CONFORM TO THE FOLLOWING REQUIREMENTS:
 - MINIMUM EMBEDMENT OF 1-1/2" INTO WOOD
 - MINIMUM EDGE DISTANCE OF 1/2"
 - MINIMUM O.C. DISTANCE OF 3/4"
- FOR INSTALLATION THROUGH METAL FRAME USE #10 SELF-DRILLING, SAE GR. 5, TYPE SCREWS. INSTALLATION SHALL CONFORM TO THE FOLLOWING REQUIREMENTS.
 - THREE (3) THREADS MINIMUM PENETRATION BEYOND METAL FRAME WALL.
 - MINIMUM EDGE DISTANCE OF 1/2"
 - MINIMUM O.C. DISTANCE OF 3/4"
- MINIMUM EMBEDMENT AND EDGE DISTANCE EXCLUDE SHEATHING, & WALL FINISHES, INCLUDING BUT NOT LIMITED TO STUCCO, FOAM, BRICK VENEER, AND SIDING.
- INSTALLATION ANCHORS AND ASSOCIATED HARDWARE MUST BE MADE OF CORROSION RESISTANT MATERIAL OR HAVE A CORROSION RESISTANT COATING.
- ASSEMBLY SCREWS, #10 FH SCREWS, ARE LOCATED THROUGH SPACER CLIPS (ITEM #3) AT 24" O.C.
- INSTALLATION ANCHORS SHALL BE INSTALLED IN ACCORDANCE WITH ANCHOR MANUFACTURER'S INSTALLATION INSTRUCTIONS, AND ANCHORS SHALL NOT BE USED IN SUBSTRATES WITH STRENGTHS LESS THAN THE MINIMUM STRENGTH SPECIFIED BY THE ANCHOR MANUFACTURER.
- INSTALLATION ANCHOR CAPACITIES FOR PRODUCTS HEREIN ARE BASED ON SUBSTRATE MATERIALS WITH THE FOLLOWING PROPERTIES:
 - WOOD - MINIMUM SPECIFIC GRAVITY OF 0.42.
 - CONCRETE - MINIMUM COMPRESSIVE STRENGTH OF 3000 PSI.
 - GROUT-FILLED CMU- UNIT STRENGTH CONFORMS TO ASTM C-90 WITH MINIMUM COMPRESSIVE STRENGTH OF 2000 PSI AND GROUT CONFORMS TO ASTM C 476, MINIMUM GROUT COMPRESSIVE STRENGTH OF 2000 PSI.
 - HOLLOW BLOCK CMU - UNIT STRENGTH CONFORMS TO ASTM C-90 WITH MINIMUM COMPRESSIVE STRENGTH OF 2000 PSI.
 - STEEL - MINIMUM WALL THICKNESS OF 54 MILS (16 GA.) WHEN THROUGH GUSSET INSTALLATION.
 - ALUMINUM - 1/8" MINIMUM THICKNESS (6063-T5)

GENERAL NOTES:

- THE PRODUCT SHOWN HEREIN IS DESIGNED AND MANUFACTURED TO COMPLY WITH THE 2006 INTERNATIONAL BUILDING CODE (IBC) AND 2006 INTERNATIONAL RESIDENTIAL CODE (IRC) WITH TEXAS REVISIONS EFFECTIVE JANUARY 1, 2008. ALL PRODUCTS UNDER THE SCOPE OF THIS DOCUMENT HAVE BEEN EVALUATED ACCORDING TO THE FOLLOWING:
 - TAS 201-94
 - TAS 202-94
 - TAS 203-94
 - ASTM E330-02
 - ASTM E1886-05
 - ASTM E1996-12A
 - SECTION R613.9 OF THE IRC
- ADEQUACY OF THE EXISTING STRUCTURAL CONCRETE/MASONRY, 2X AND METAL STUD FRAMING AS A MAIN WIND FORCE RESISTING SYSTEM CAPABLE OF WITHSTANDING AND TRANSFERRING APPLIED PRODUCT LOADS TO THE FOUNDATION IS THE RESPONSIBILITY OF THE ENGINEER OR ARCHITECT OF RECORD FOR THE PROJECT OF INSTALLATION.
- 1X AND 2X BUCKS (WHEN USED) SHALL BE DESIGNED AND ANCHORED TO PROPERLY TRANSFER ALL LOADS TO THE STRUCTURE. BUCK DESIGN AND INSTALLATION IS THE RESPONSIBILITY OF THE ENGINEER OR ARCHITECT OF RECORD FOR THE PROJECT OF INSTALLATION.
- THE INSTALLATION DETAILS DESCRIBED HEREIN ARE GENERIC AND MAY NOT REFLECT ACTUAL CONDITIONS FOR A SPECIFIC SITE. IF SITE CONDITIONS CAUSE INSTALLATION TO DEVIATE FROM THE REQUIREMENTS DETAILED HEREIN, A LICENSED ENGINEER OR ARCHITECT SHALL PREPARE SITE SPECIFIC DOCUMENTS FOR USE WITH THIS DOCUMENT IN NON-HVHZ AREAS. IN HVHZ AREAS, ONE TIME PRODUCT APPROVAL TO BE OBTAINED FROM MIAMI-DADE PERA OR AHJ.
- APPROVED IMPACT PROTECTIVE SYSTEM **IS NOT REQUIRED** TO PROTECT THIS PRODUCT IN AREAS REQUIRING IMPACT RESISTANCE.
- WINDOW/DOOR FRAME MATERIAL: *PONDEROSA PINE OR EQUIVALENT (S.G.=0.45)*.
- IN ACCORDANCE WITH IBC/IRC, WOOD COMPONENTS SHALL HAVE BEEN PRESERVATIVE TREATED OR SHALL BE OF A DURABLE SPECIES.
- IN ACCORDANCE WITH THE IBC/IRC, DISSIMILAR METALS INCLUDING FASTENERS THAT MAY COME INTO CONTACT WITH ALUMINUM UNIT FRAMING SHALL BE PROTECTED.
- DESIGNATIONS "X" AND "O" STAND FOR THE FOLLOWING:
 - X: OPERABLE PANEL
 - O: FIXED PANEL
- CUSTOM SIZES AVAILABLE UPON REQUEST. CUSTOM DESIGN PRESSURE WILL BE ASSIGNED EQUAL TO NEXT LARGER STANDARD SIZE.
- MULL ASSEMBLIES ARE QUALIFIED FOR TWO OR MORE UNITS PER OPENING IN THE FOLLOWING CONFIGURATIONS:
 - "ONE WAY" - RIBBON OR STACKED MULLIONS
 - "TWO WAY" - 'X' OR 'T' MULLIONS
- GROUPS I, II, & III CONSIST OF 4-9/16" MULLIONS (ITEM #1A). GROUPS IV, V, & VI CONSIST OF 6-9/16" MULLIONS (ITEM #1B)

TABLE OF CONTENTS		
SHEET	REVISION	SHEET DESCRIPTION
1	-	GENERAL AND INSTALLATION NOTES
2	-	MULL ASSEMBLY SECTIONS (1)
3	-	MULL ASSEMBLY SECTIONS (2)
4	-	MULL ASSEMBLY SECTIONS (3)
5	-	MULL ASSEMBLY SECTIONS (4)
6	-	MULL ASSEMBLY SECTIONS (5)
7	-	MULL ASSEMBLY SECTIONS (6)
8	-	GUSSET - INSTALLATION DETAILS
9	-	HALF GUSSET - INSTALLATION DETAILS
10	-	ONE-WAY LOAD TABLE: GROUP I
11	-	ONE-WAY LOAD TABLE: GROUP II
12	-	ONE-WAY LOAD TABLE: GROUP III
13	-	TWO-WAY LOAD TABLE: GROUP I, II, III
14	-	ONE-WAY LOAD TABLE: GROUP IV
15	-	ONE-WAY LOAD TABLE: GROUP V
16	-	ONE-WAY LOAD TABLE: GROUP VI
17	-	TWO-WAY LOAD TABLE: GROUP IV, V, VI
18	-	B.O.M. & COMPONENTS
19	-	COMPONENTS (1)
20	-	COMPONENTS (2)

PRODUCT ABBREVIATION KEY	
ABBREVIATION	PRODUCT NAME
Flexi =	Flexiframe Window
FW =	A Series Specialty Window
Arch. =	Specialty Window
APW =	A Series Picture Window
ATF =	A Series Transom/Fixed
AAN =	A Series Awning
ATV =	A Series Venting Transom
ACW =	A Series Casement
ADH =	A Series Double Hung
FWGD =	A Series Frenchwood Glider Door
FWOD =	A Series Frenchwood Outswing Door
FWHID =	A Series Frenchwood Inswing Door
FWSLT =	A Series Sidelite/Transom Door

MULLING INSTRUCTIONS:

- STEP 1: ESTABLISH MULL ASSEMBLY FRAME TYPES AND MULL CONFIGURATION.
- STEP 2: VERIFY MULL ASSEMBLY CONSTRUCTION FROM SHEETS 2-7 (REFER TO ABBREVIATION TABLE ABOVE) AND DETERMINE GROUP NUMBER.
- STEP 3: DETERMINE ALLOWABLE LOAD OF MULL ASSEMBLY FROM APPLICABLE LOAD TABLE BASED ON MULL GROUP NUMBER, REFER TO SHEETS 9-12.
- STEP 4: INSTALL MULLION BASED ON APPLICABLE SPECIFICATIONS SHOWN ON SHEET 8.

MISSILE IMPACT RATING
SMALL AND LARGE MISSILE IMPACT RATED, MISSILE LEVEL D, WIND ZONE 4

REVISIONS	DESCRIPTION	DATE	
		BY	DATE
NO.			

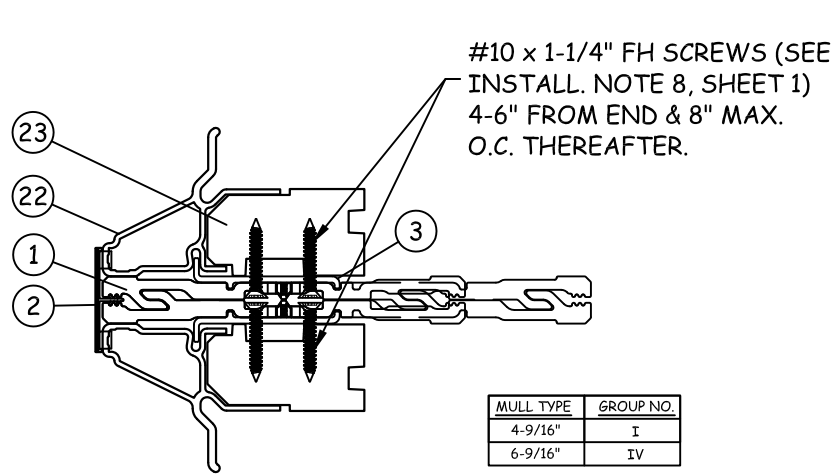


DATE: 10.12.15
DWN BY: LMS
CHK BY: HFN
SCALE: NTS
DWG #: AWD099
SHEET: 1 OF 20

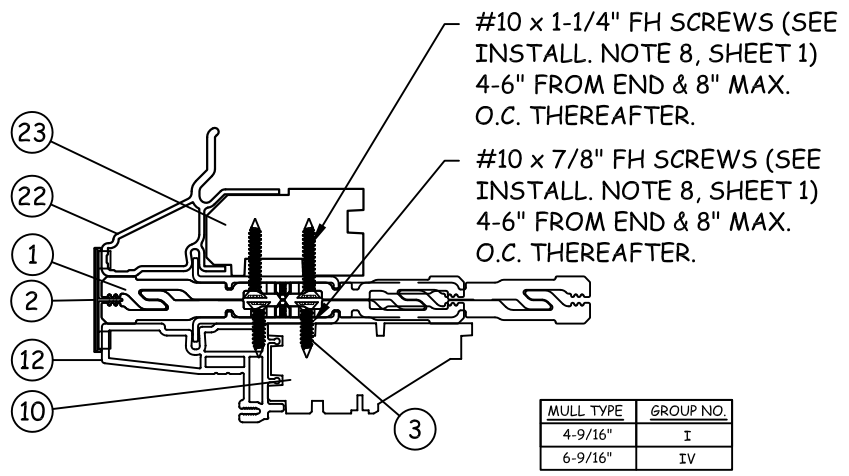
s:\projects\andersen\windows\1d-15-1222_reinforced_fg_a_series_mullions\dwgs\awd099.dwg 3/7/2016 2:55 PM

3/7/2016 2:55 PM

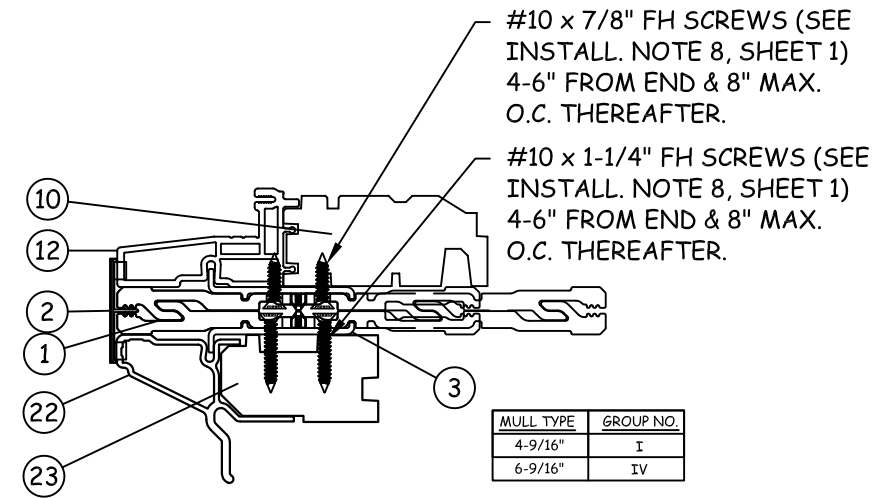
s:\projects\andersen\windows\15-1222-reinforced-fg-a-series-mullions\dwg\awd099.dwg



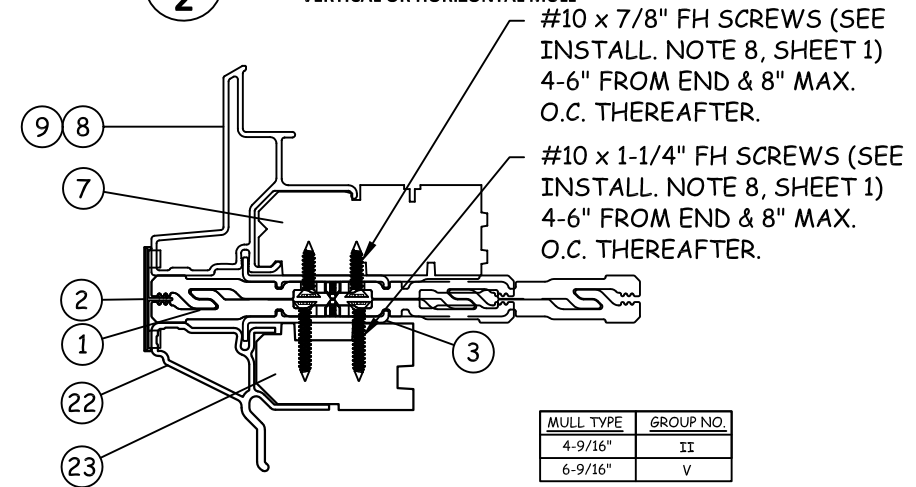
A
2
FLEXI TO FLEXI
VERTICAL OR HORIZONTAL MULL



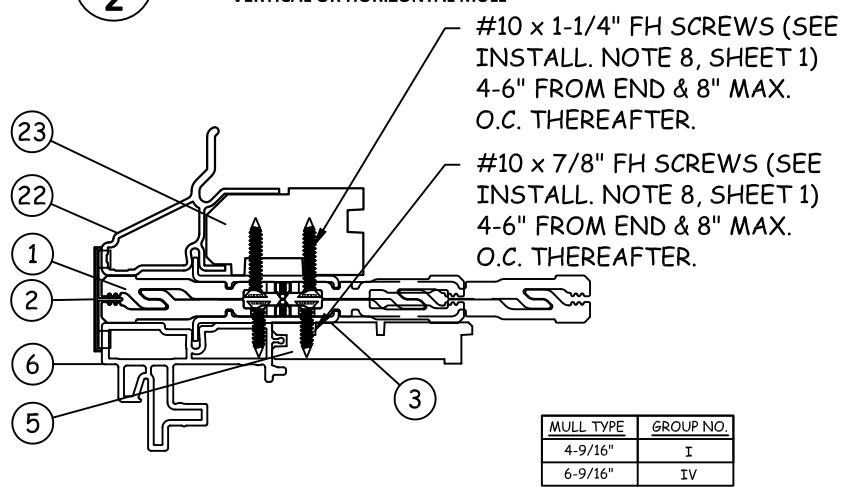
B
2
FLEXI TO AAN/ATV/ACW
VERTICAL OR HORIZONTAL MULL



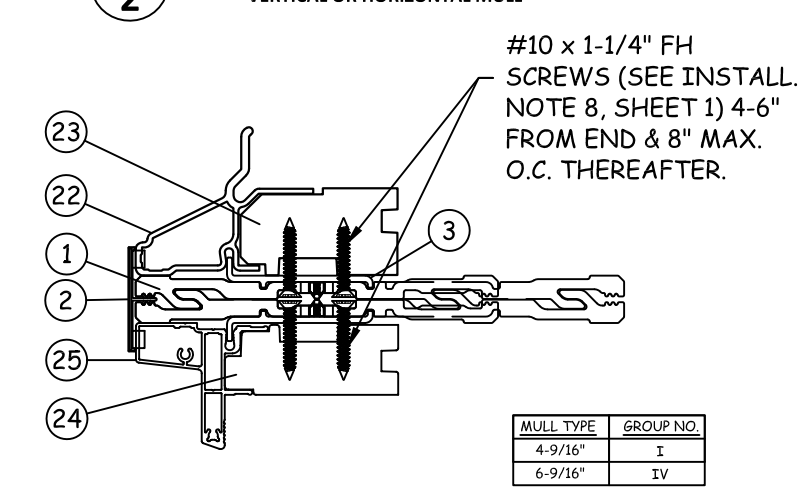
C
2
AAN TO FLEXI
VERTICAL OR HORIZONTAL MULL



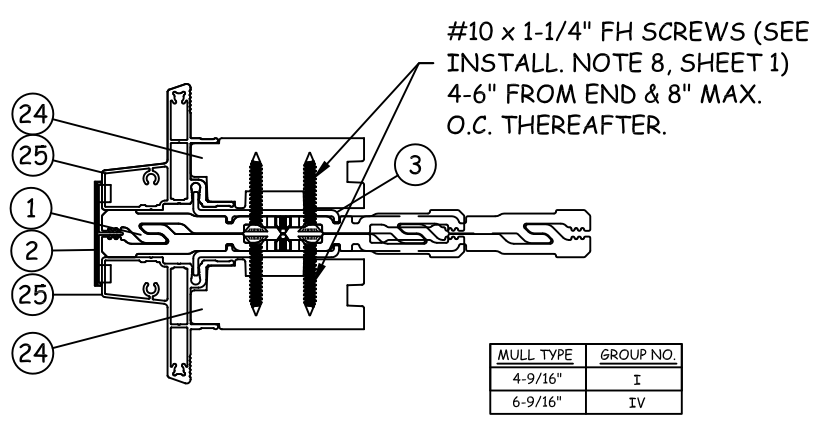
D
2
ATF/APW TO FLEXI
VERTICAL OR HORIZONTAL MULL



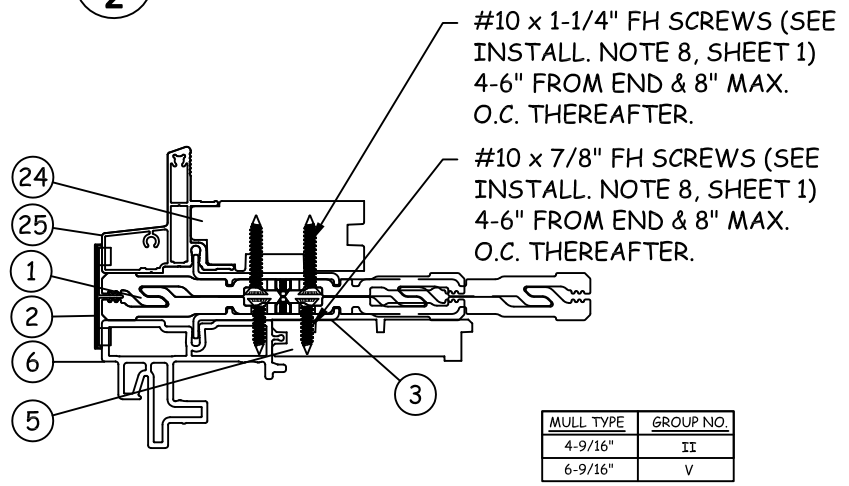
E
2
FLEXI TO ADH
VERTICAL OR HORIZONTAL MULL



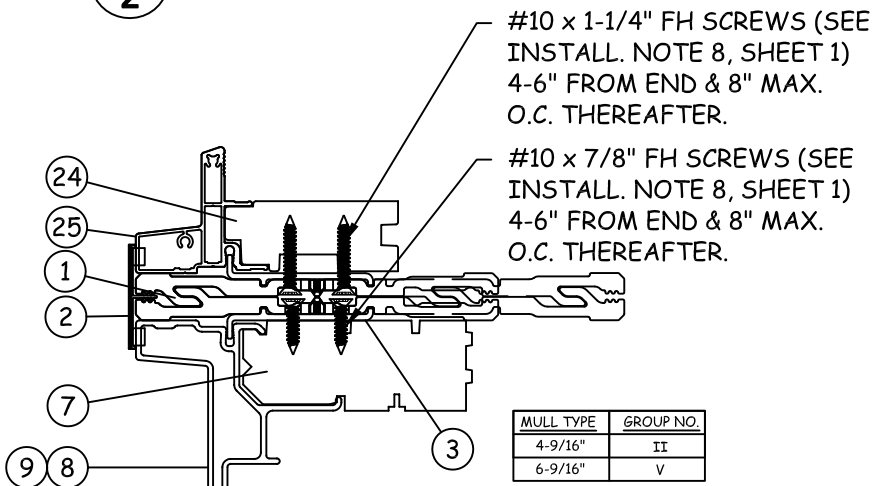
F
2
FLEXI TO FW
VERTICAL OR HORIZONTAL MULL



G
2
FW TO FW
VERTICAL OR HORIZONTAL MULL



H
2
FW TO ADH
VERTICAL OR HORIZONTAL MULL



I
2
FW TO ATF/APW
VERTICAL OR HORIZONTAL MULL



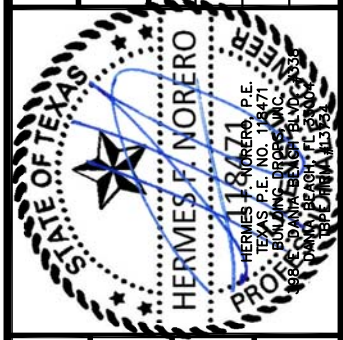
100 FOURTH AVE NORTH
BAYPORT, MN 55003-1096
PH: (651) 264-5150 FX: (651) 264-5485

TITLE: A SERIES REINFORCED MULLION ASSEMBLY MULL ASSEMBLY SECTIONS (1)

PREPARED BY:
BUILDING DROPS, INC.
398 E. DANIA BEACH BLVD. #338
DANIA BEACH, FL 33004

PH: (954) 399-8478 FX: (954) 744-4738

NO.	REVISIONS	DESCRIPTION	BY	DATE

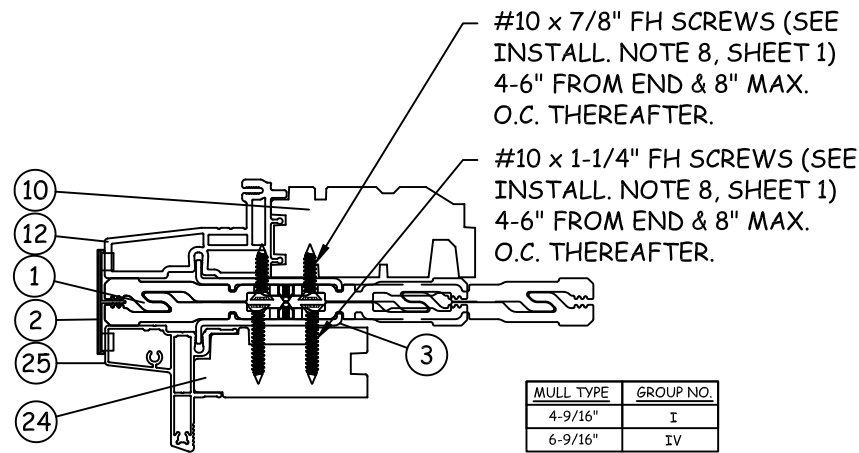


DATE: 10.12.15
DWN BY: LMS
CHK BY: HFN
SCALE: NTS

DWG #: **AWD099**
SHEET: **2 OF 20**

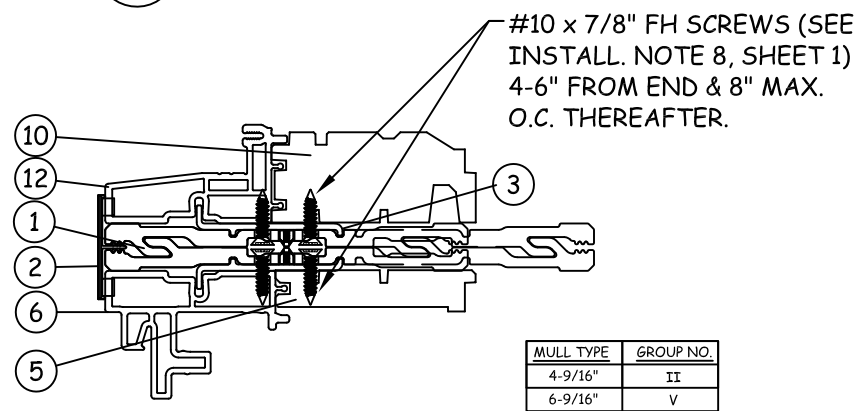
3/7/2016 2:55 PM

s:\projects\andersen\windows\15-1222 reinforced for a series mullions\awd099.dwg



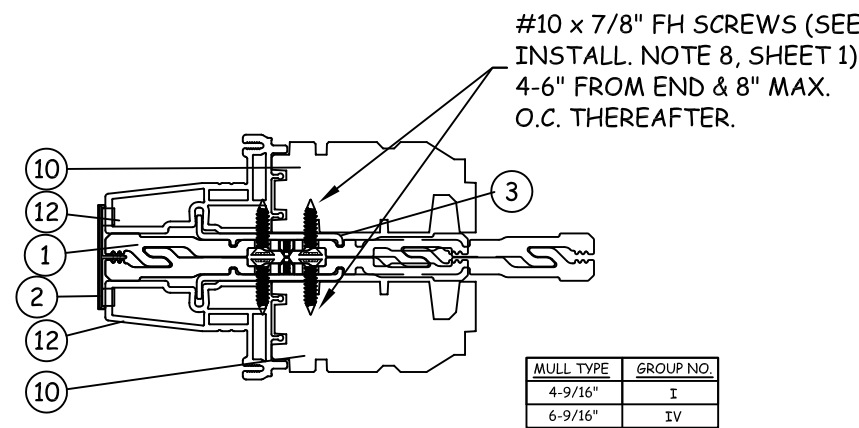
J
3
AAN/ATV TO FW
VERTICAL OR HORIZONTAL MULL

K
3
ACW TO FW
VERTICAL OR HORIZONTAL MULL



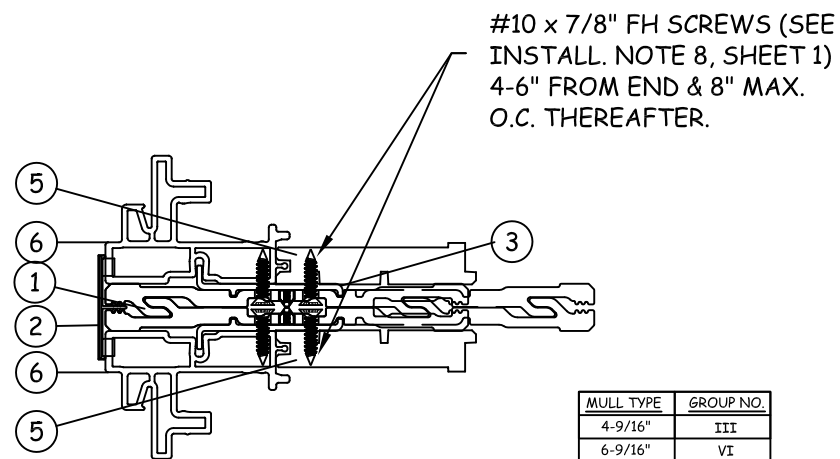
N
3
ATV TO ADH
HORIZONTAL MULL

O
3
ACW TO ADH
VERTICAL MULL

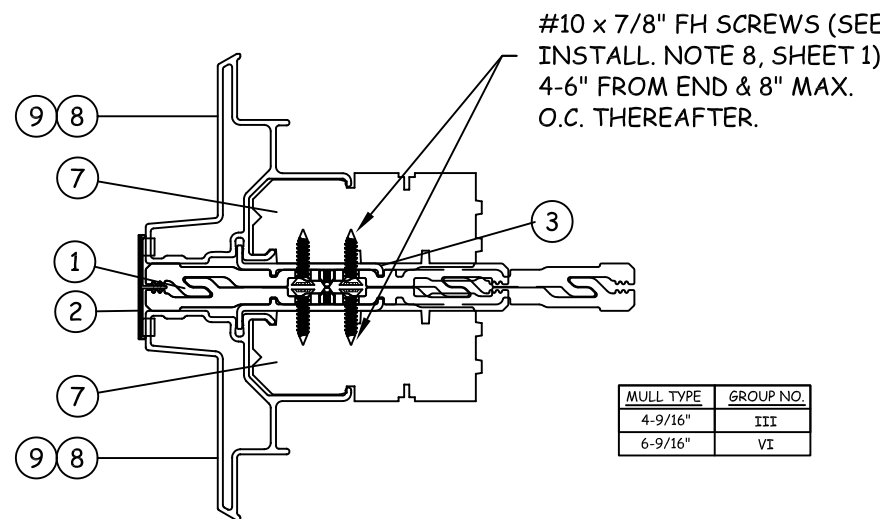


R
3
AAN/ATV TO AAN/ATV
VERTICAL OR HORIZONTAL MULL

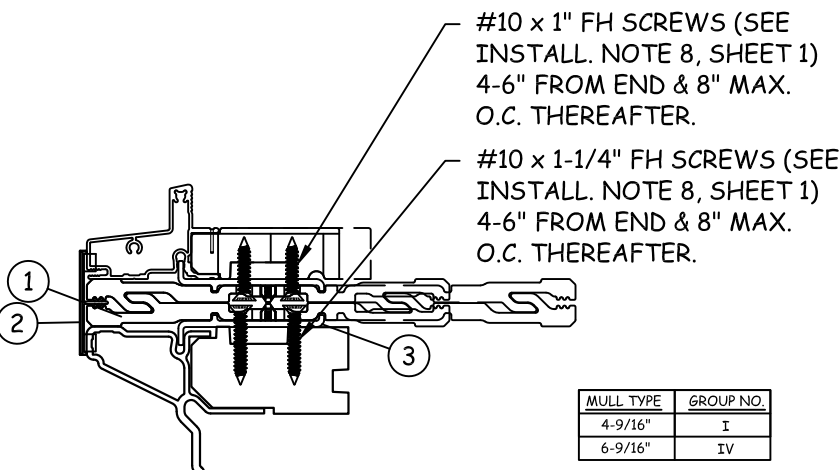
S
3
ACW TO ACW
VERTICAL OR HORIZONTAL MULL



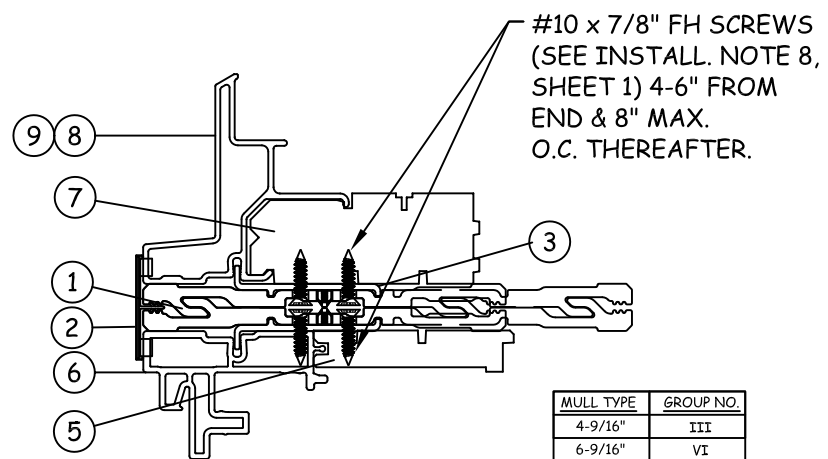
L
3
ADH TO ADH
VERTICAL MULL



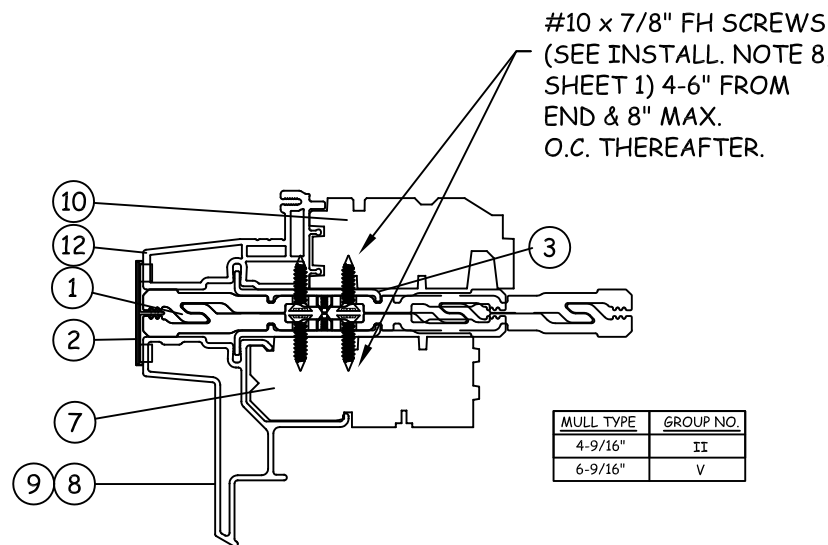
P
3
ATF/APW TO ATF/APW
VERTICAL OR HORIZONTAL MULL



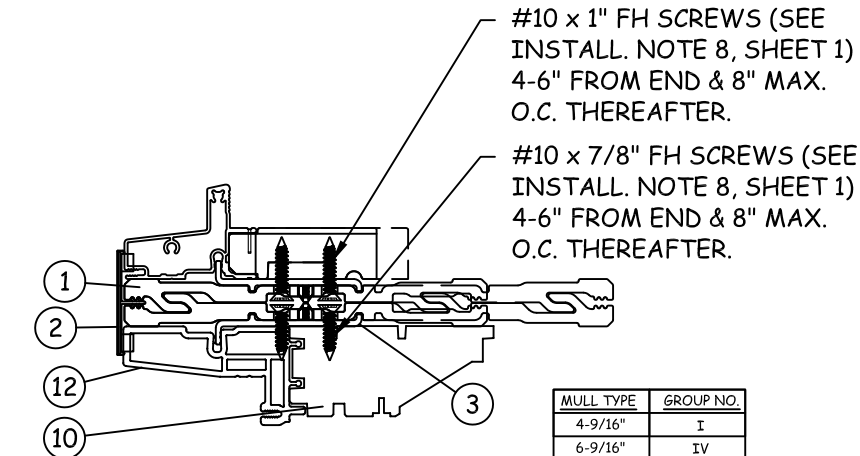
T
3
ARCH. TO FLEXI
VERTICAL OR HORIZONTAL MULL



M
3
ATF/APW TO ADH
VERTICAL OR HORIZONTAL MULL



Q
3
ATV TO ATF/APW
VERTICAL OR HORIZONTAL MULL



U
3
ARCH. TO AAN/ATV
VERTICAL OR HORIZONTAL MULL

V
3
ARCH. TO ACW
VERTICAL OR HORIZONTAL



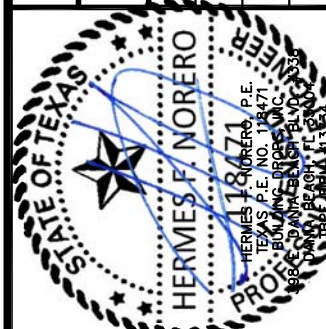
100 FOURTH AVE NORTH
BAYPORT, MN 55003-1096
PH: (651) 264-5150 FX: (651) 264-5485

TITLE: A SERIES REINFORCED
MULLION ASSEMBLY
MULL ASSEMBLY SECTIONS (2)

PREPARED BY:
BUILDING DROPS, INC.
398 E. DANIA BEACH BLVD. #338
DANIA BEACH, FL 33004
PH: (954) 399-8478 FX: (954) 744-4738

REVISIONS

NO.	DESCRIPTION	BY	DATE

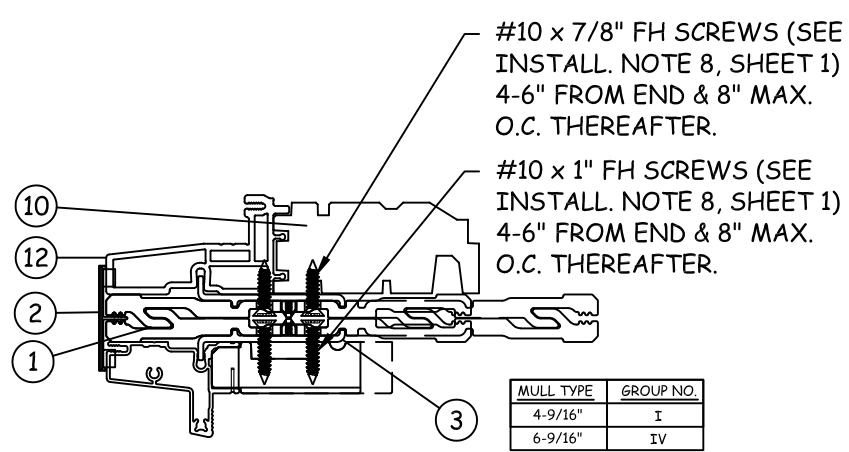


DATE: 10.12.15
DWN BY: LMS
CHK BY: HFN
SCALE: NTS

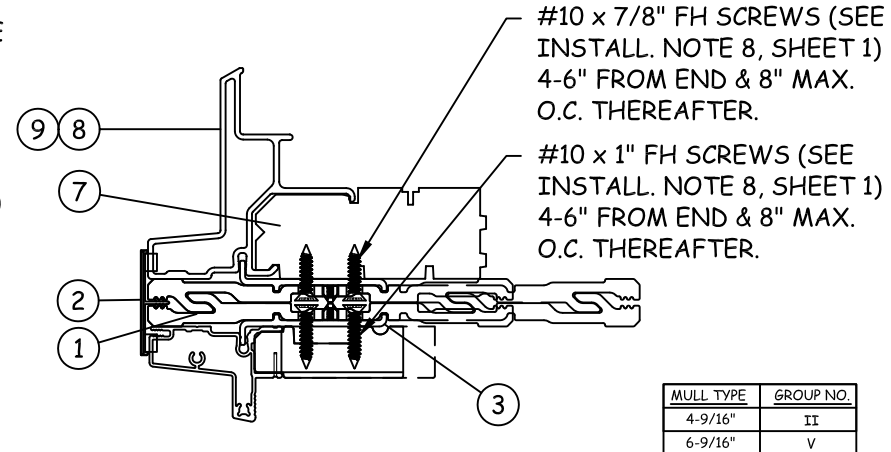
DWG #: **AWD099**
SHEET: **3 OF 20**

TITLE: A SERIES REINFORCED
 MULLION ASSEMBLY
 MULL ASSEMBLY SECTIONS (3)

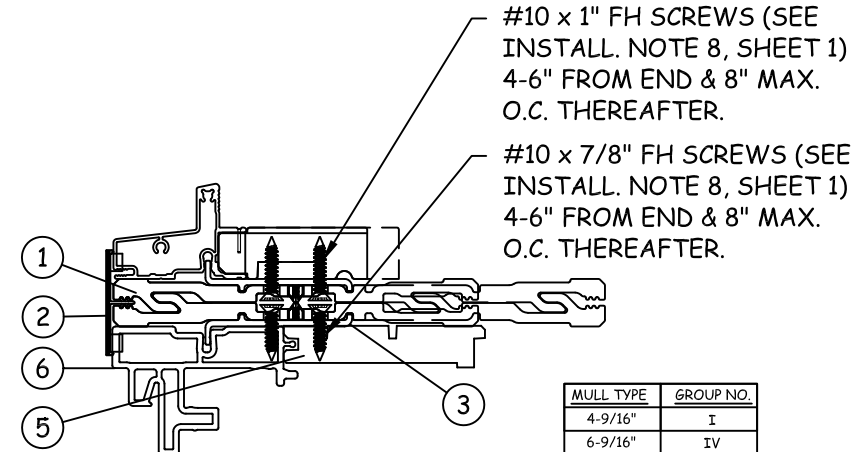
PREPARED BY:
 BUILDING DROPS, INC.
 398 E. DANIA BEACH BLVD. #338
 DANIA BEACH, FL 33004
 PH: (954) 399-8478 FX: (954) 744-4738



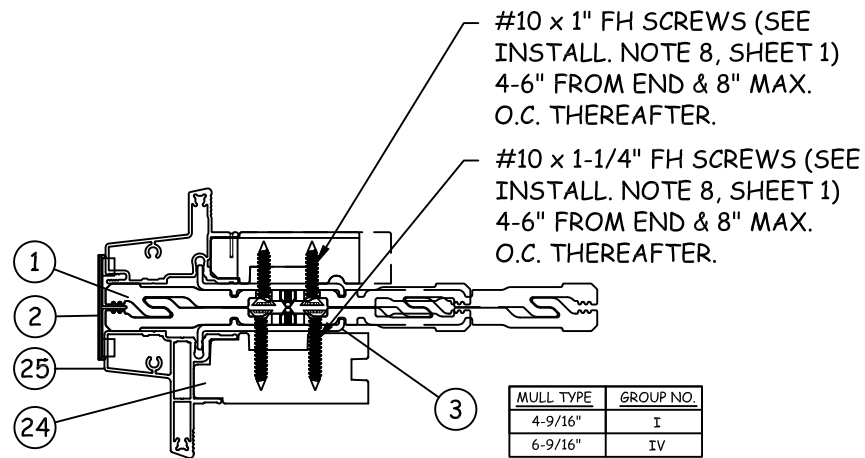
W
4 **AAN TO ARCH.**
 HORIZONTAL MULL



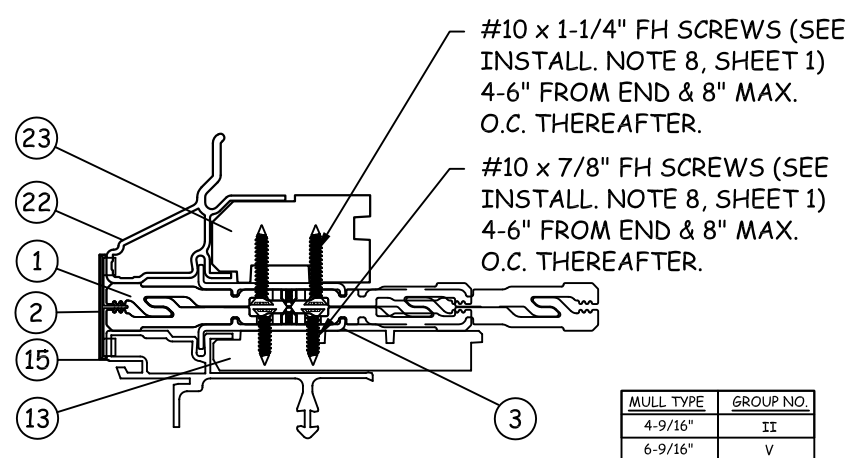
X
4 **ATF/APW TO ARCH.**
 VERTICAL OR HORIZONTAL MULL



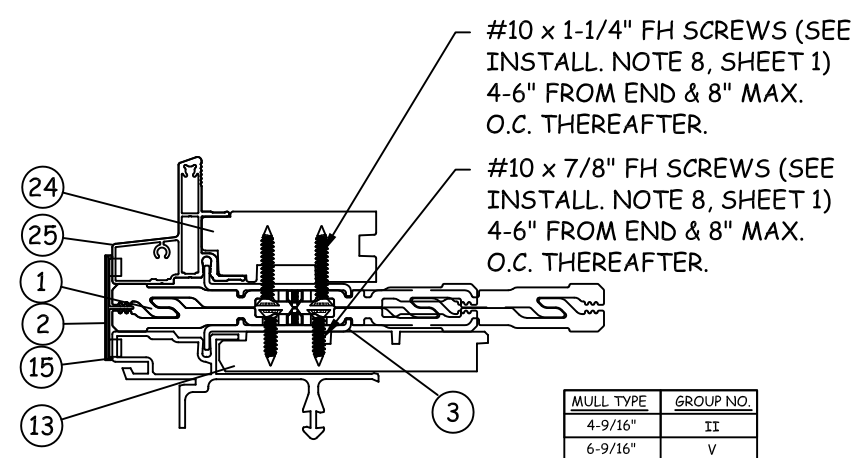
Y
4 **ARCH. TO ADH**
 VERTICAL OR HORIZONTAL MULL



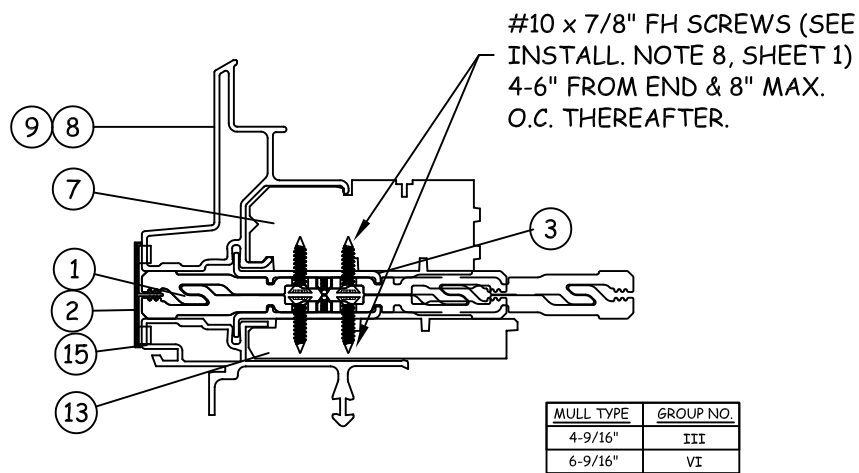
Z
4 **ARCH TO FW**
 VERTICAL OR HORIZONTAL MULL



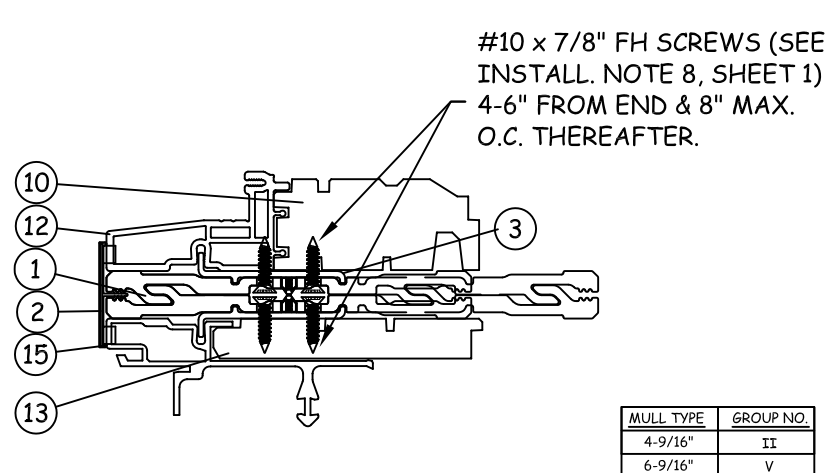
AA
4 **FLEXI TO FWGD**
 VERTICAL OR HORIZONTAL MULL



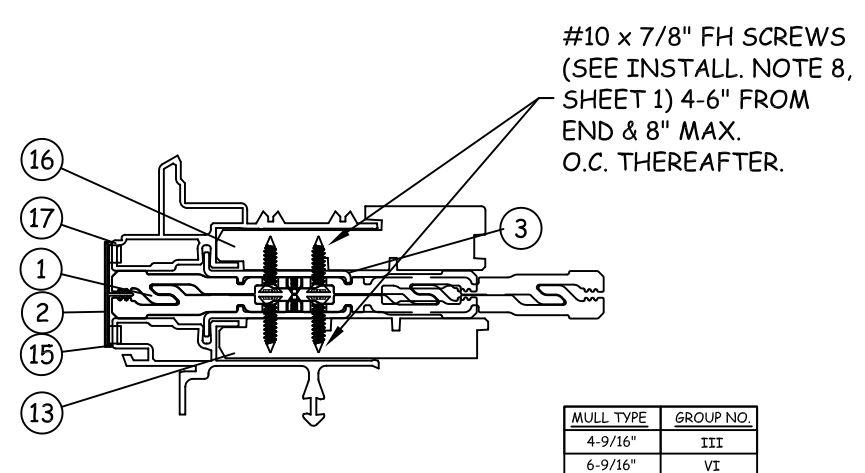
AB
4 **FW TO FWGD**
 VERTICAL OR HORIZONTAL MULL



AC
4 **ATF TO FWGD**
 VERTICAL OR HORIZONTAL MULL



AD
4 **ATV TO FWGD**
 VERTICAL OR HORIZONTAL MULL



AE
4 **FWSLT TO FWGD**
 VERTICAL OR HORIZONTAL MULL

NO.	DESCRIPTION	BY	DATE



DATE: 10.12.15
 DWN BY: LMS
 CHK BY: HFN
 SCALE: NTS

DWG #: **AWD099**
 SHEET: **4 OF 20**

3/7/2016 2:55 PM s:\projects\andersen\windows\101-15-1222_reinforced_fg_a_series_mullions\dwg\awd099.dwg

3/7/2016 2:55 PM

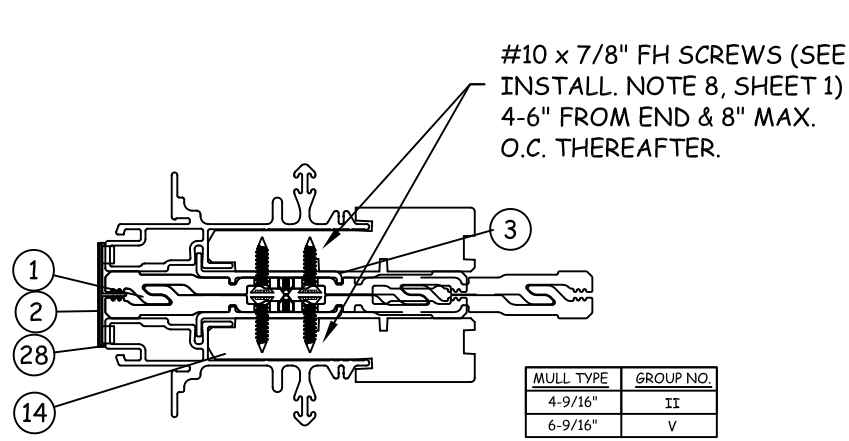
s:\projects\andersen\windows\141-15-1222 reinforced for a series mullions\awd099.dwg



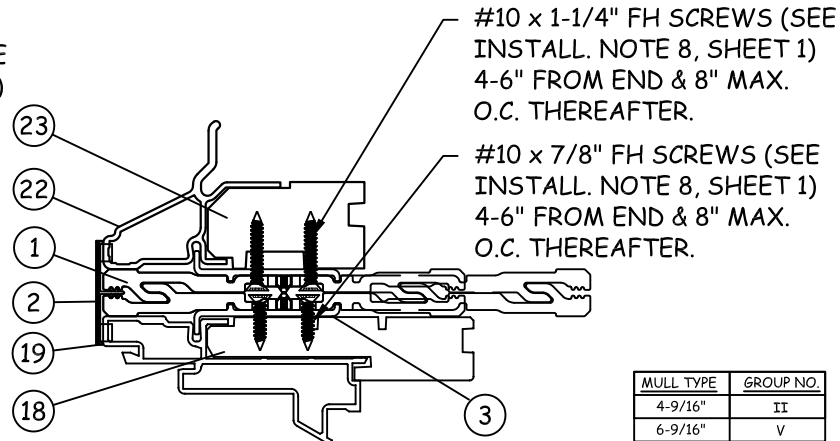
100 FOURTH AVE NORTH
BAYPORT, MN 55003-1096
PH: (651) 264-5150 FX: (651) 264-5485

TITLE: A SERIES REINFORCED
MULLION ASSEMBLY
MULL ASSEMBLY SECTIONS (4)

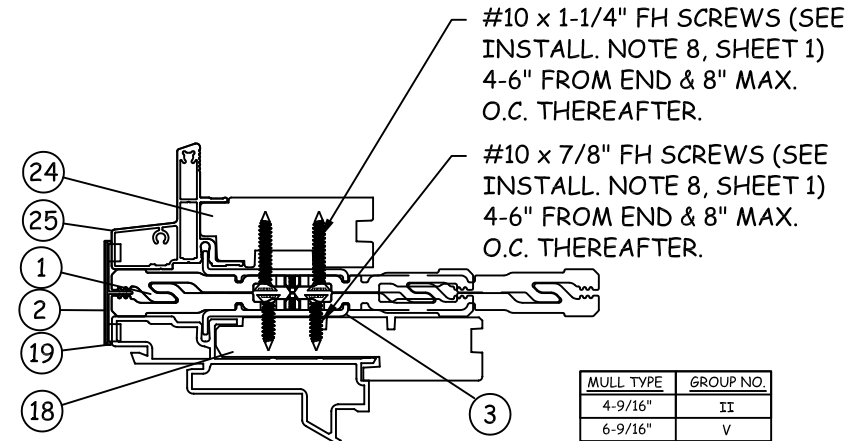
PREPARED BY:
BUILDING DROPS, INC.
398 E. DANIA BEACH BLVD. #338
DANIA BEACH, FL 33004
PH: (954) 399-8478 FX: (954) 744-4738



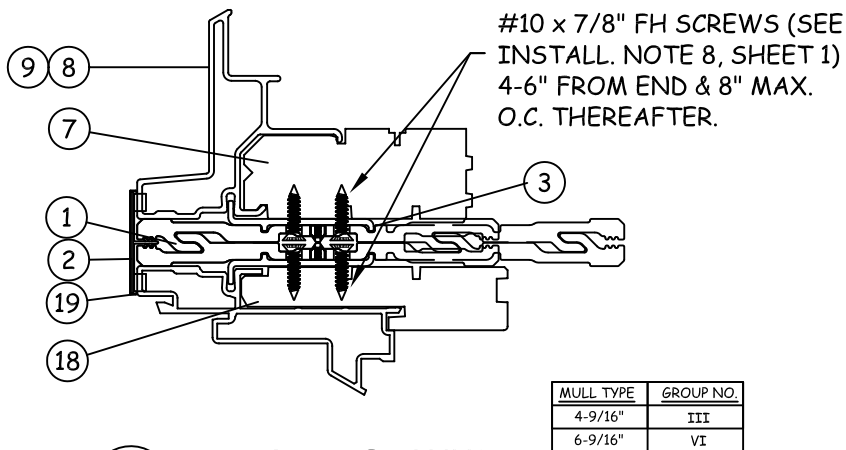
AF 5
FWGD TO FWGD
VERTICAL MULL



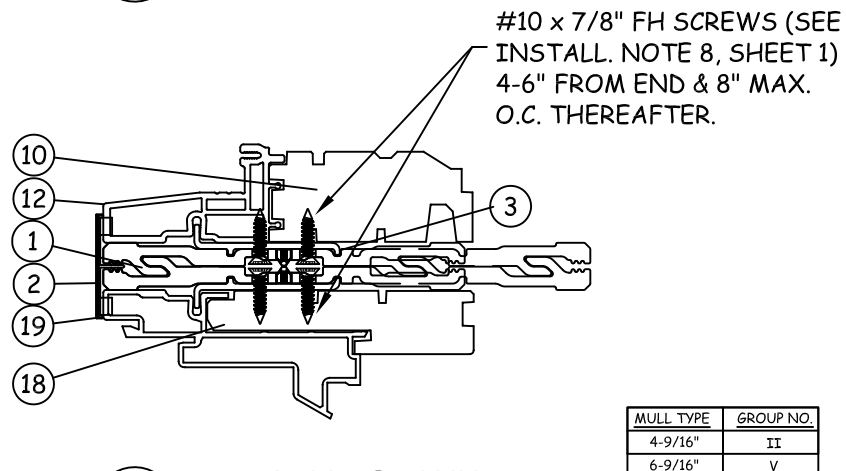
AG 5
FLEXI TO FWHID
VERTICAL OR HORIZONTAL MULL



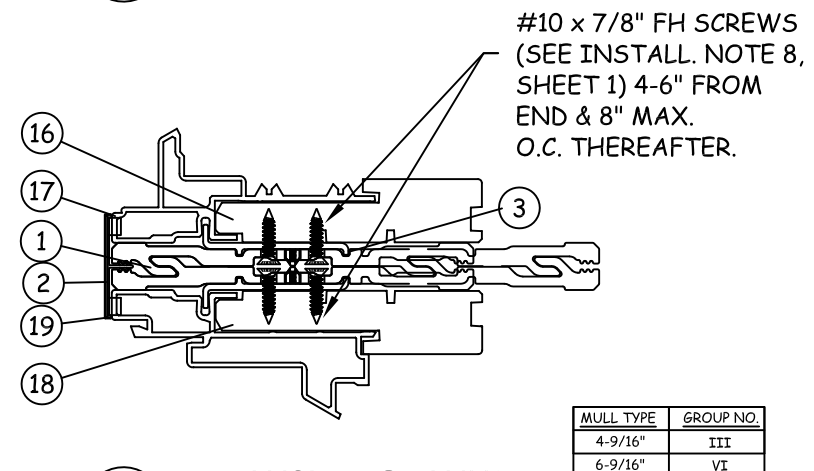
AH 5
FW TO FWHID
VERTICAL OR HORIZONTAL MULL



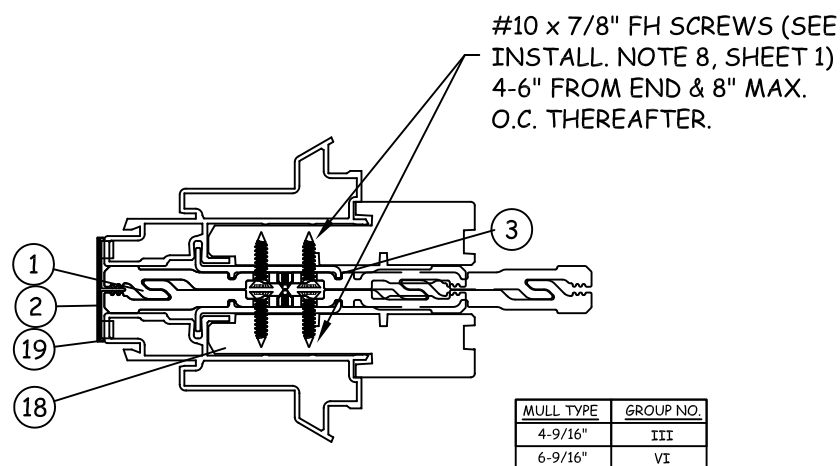
AI 5
ATF TO FWHID
VERTICAL OR HORIZONTAL MULL



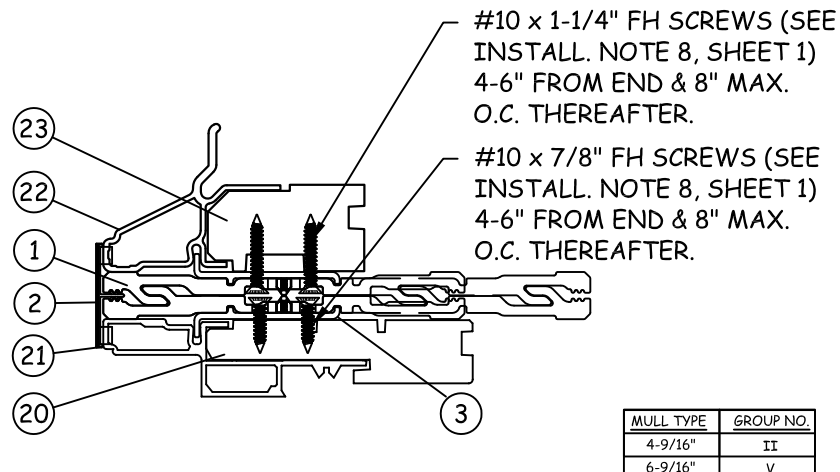
AJ 5
ATV TO FWHID
VERTICAL OR HORIZONTAL MULL



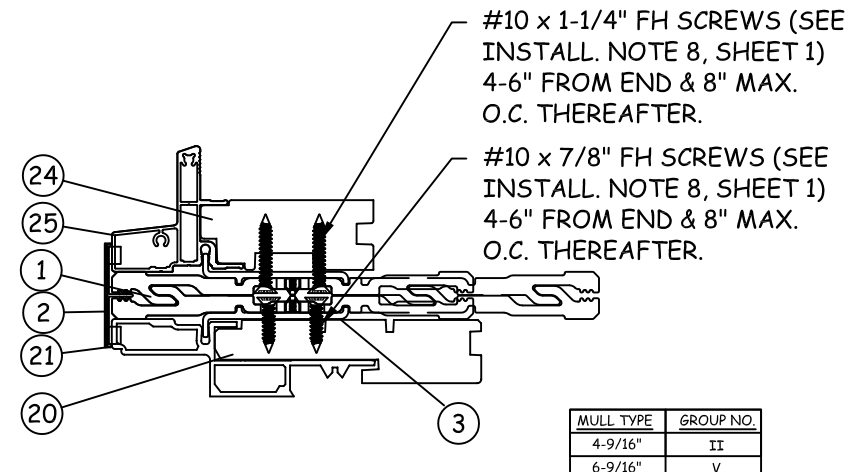
AK 5
FWSLT TO FWHID
VERTICAL OR HORIZONTAL MULL



AL 5
FWHID TO FWHID
VERTICAL MULL



AM 5
FLEXI TO FWOD
VERTICAL OR HORIZONTAL MULL



AN 5
FW TO FWOD
VERTICAL OR HORIZONTAL MULL

NO.	REVISIONS	
	DESCRIPTION	DATE

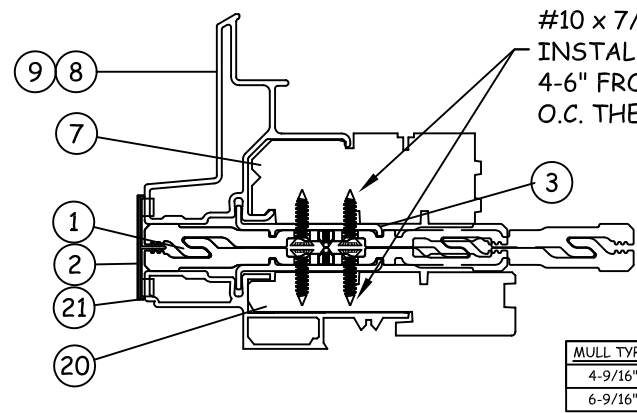


DATE: 10.12.15
DWN BY: LMS
CHK BY: HFN
SCALE: NTS

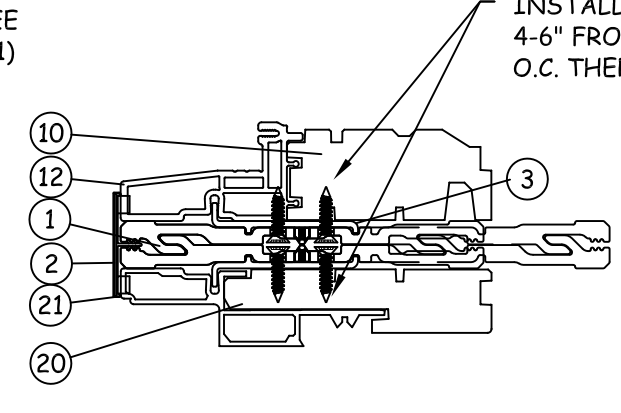
DWG #: **AWD099**
SHEET: **5 OF 20**

TITLE: A SERIES REINFORCED
 MULLION ASSEMBLY
 MULL ASSEMBLY SECTIONS (5)

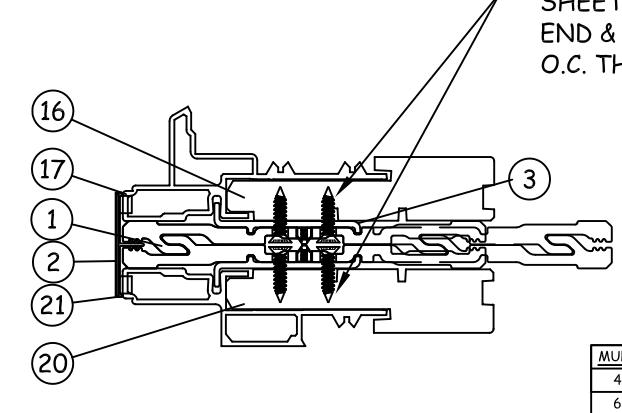
PREPARED BY:
 BUILDING DROPS, INC.
 398 E. DANIA BEACH BLVD. #338
 DANIA BEACH, FL 33004
 PH: (954) 399-8478 FX: (954) 744-4738



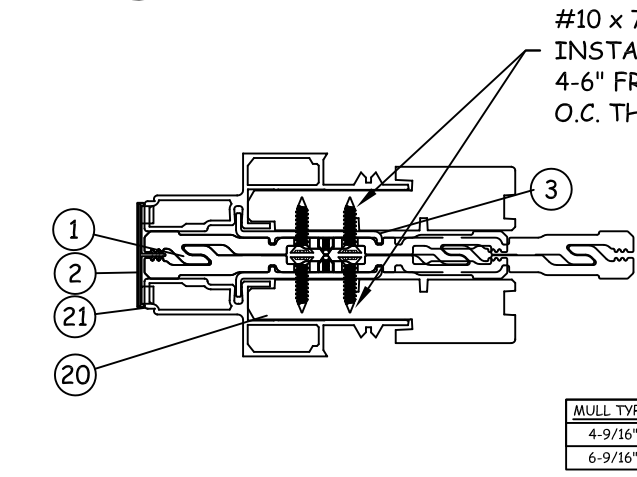
AO
6 ATF TO FWOD
 VERTICAL OR HORIZONTAL MULL



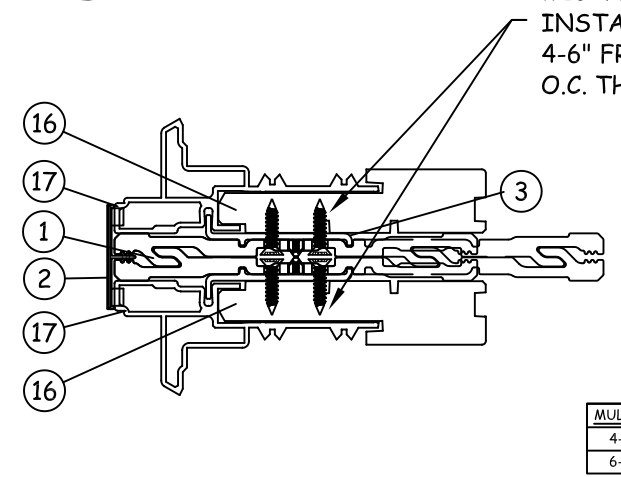
AP
6 ATV TO FWOD
 VERTICAL OR HORIZONTAL MULL



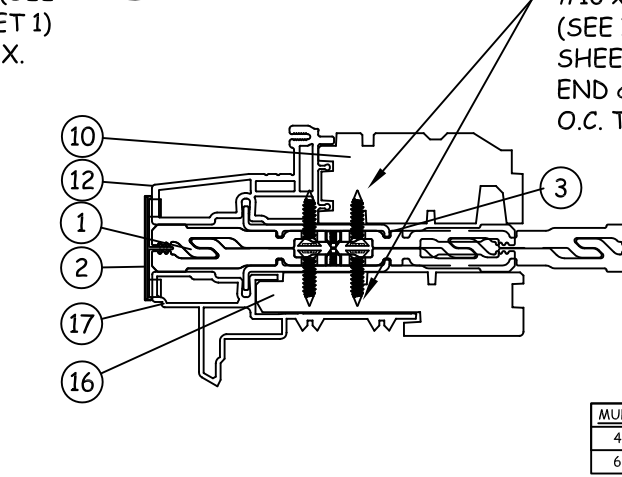
AQ
6 FWSLT TO FWOD
 VERTICAL OR HORIZONTAL MULL



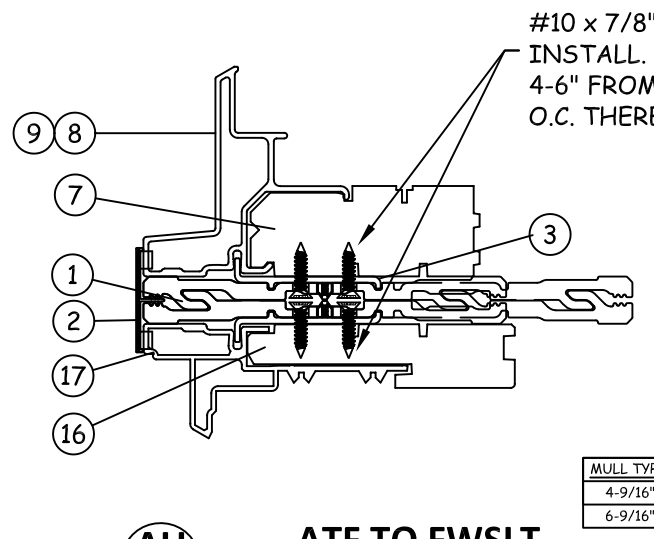
AR
6 FWOD TO FWOD
 VERTICAL MULL



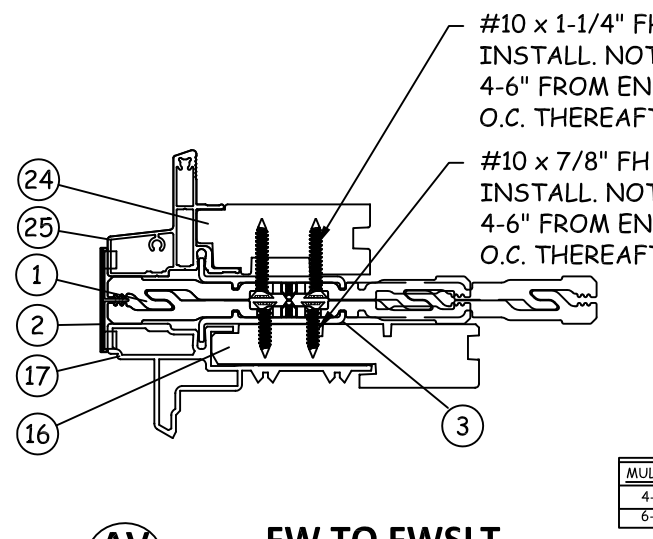
AS
6 FWSLT TO FWSLT
 VERTICAL OR HORIZONTAL MULL



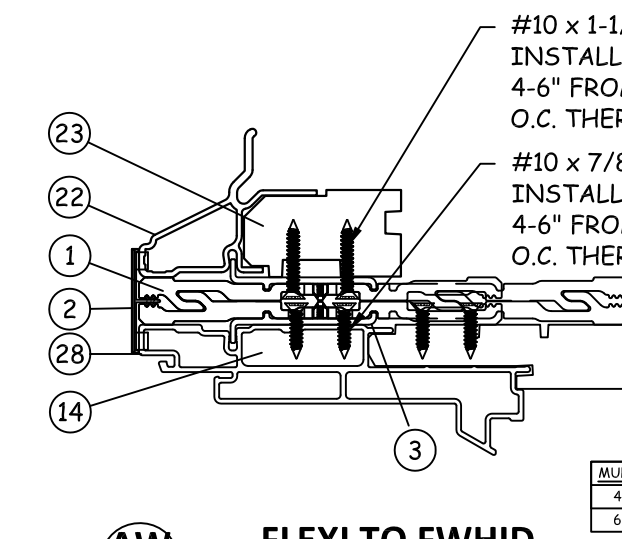
AT
6 ATV TO FWSLT
 VERTICAL OR HORIZONTAL MULL



AU
6 ATF TO FWSLT
 VERTICAL OR HORIZONTAL MULL



AV
6 FW TO FWSLT
 VERTICAL OR HORIZONTAL MULL



AW
6 FLEXI TO FWHD
 HORIZONTAL OR VERTICAL MULL

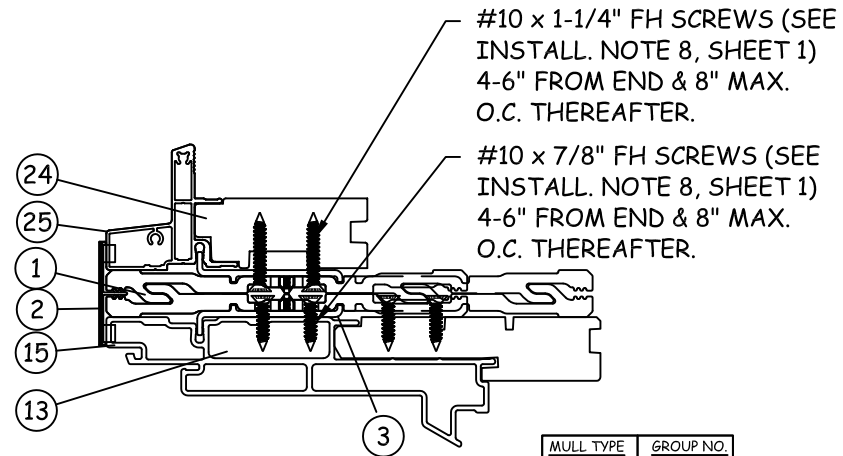
NO.	DESCRIPTION	BY	DATE



DATE: 10.12.15
 DWN BY: LMS
 CHK BY: HFN
 SCALE: NTS

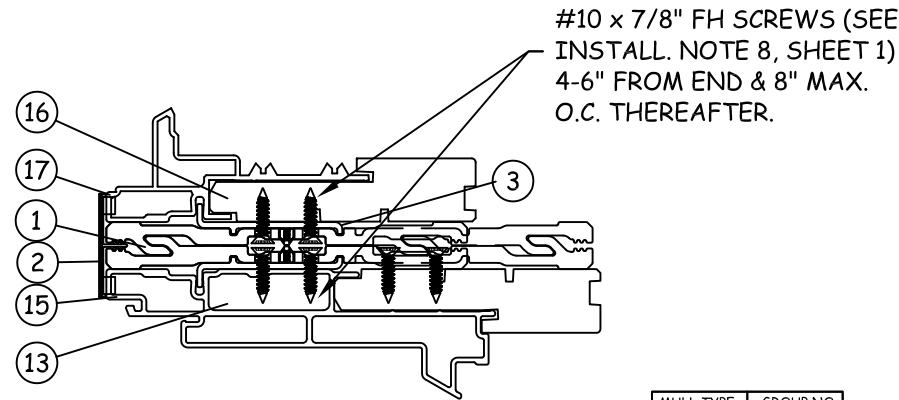
DWG #: **AWD099**
 SHEET: **6 OF 20**

s:\projects\andersen\windows\141-15-1222 reinforced fg a series mullions\awd099.dwg 3/7/2016 2:56 PM



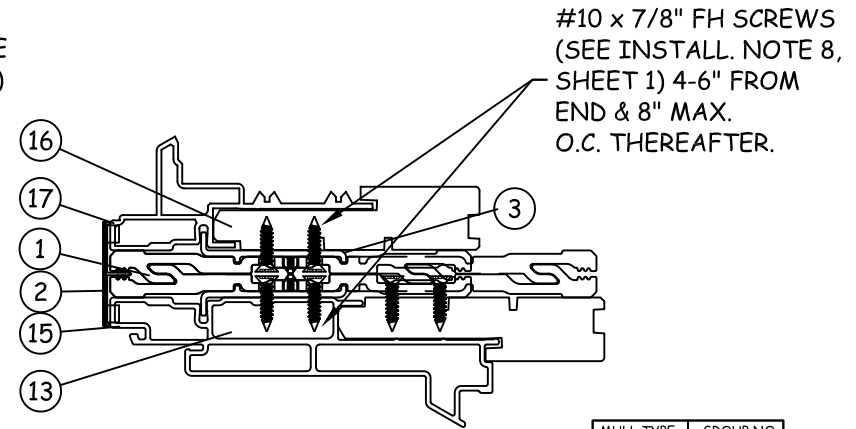
MULL TYPE	GROUP NO.
4-9/16"	II
6-9/16"	V

AX 7
FW TO FWHID
HORIZONTAL OR VERTICAL MULL



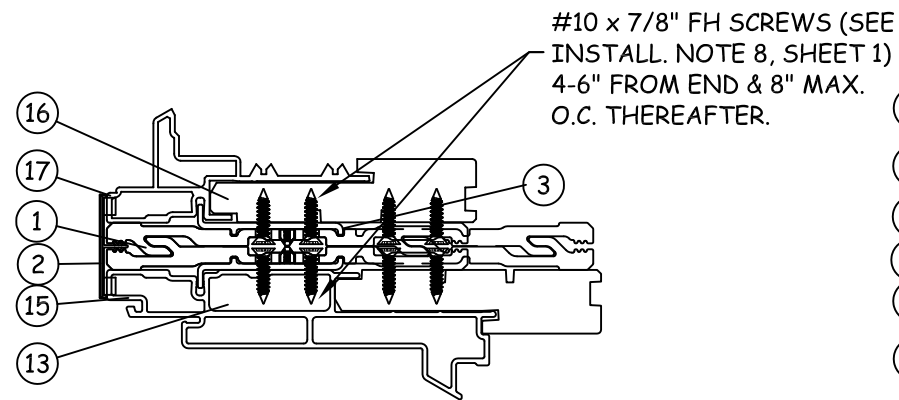
MULL TYPE	GROUP NO.
4-9/16"	III
6-9/16"	VI

AY 7
ATF TO FWHID
HORIZONTAL OR VERTICAL MULL



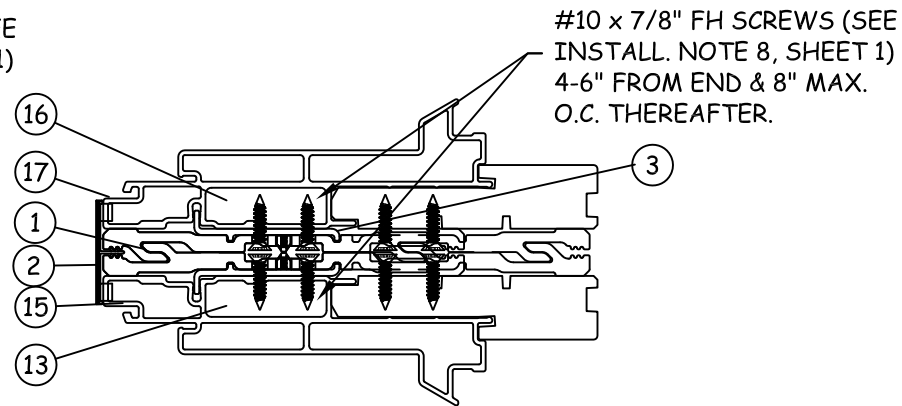
MULL TYPE	GROUP NO.
4-9/16"	II
6-9/16"	V

AZ 7
ATV TO FWHID
VERTICAL OR HORIZONTAL MULL



MULL TYPE	GROUP NO.
4-9/16"	III
6-9/16"	VI

BA 7
FWSLT TO FWHID
VERTICAL MULL



MULL TYPE	GROUP NO.
4-9/16"	III
6-9/16"	VI

BB 7
FWHID TO FWHID
VERTICAL MULL



100 FOURTH AVE NORTH
BAYPORT, MN 55003-1096
PH: (651) 264-5150 FX: (651) 264-5485

TITLE: A SERIES REINFORCED
MULLION ASSEMBLY
MULL ASSEMBLY SECTIONS (6)

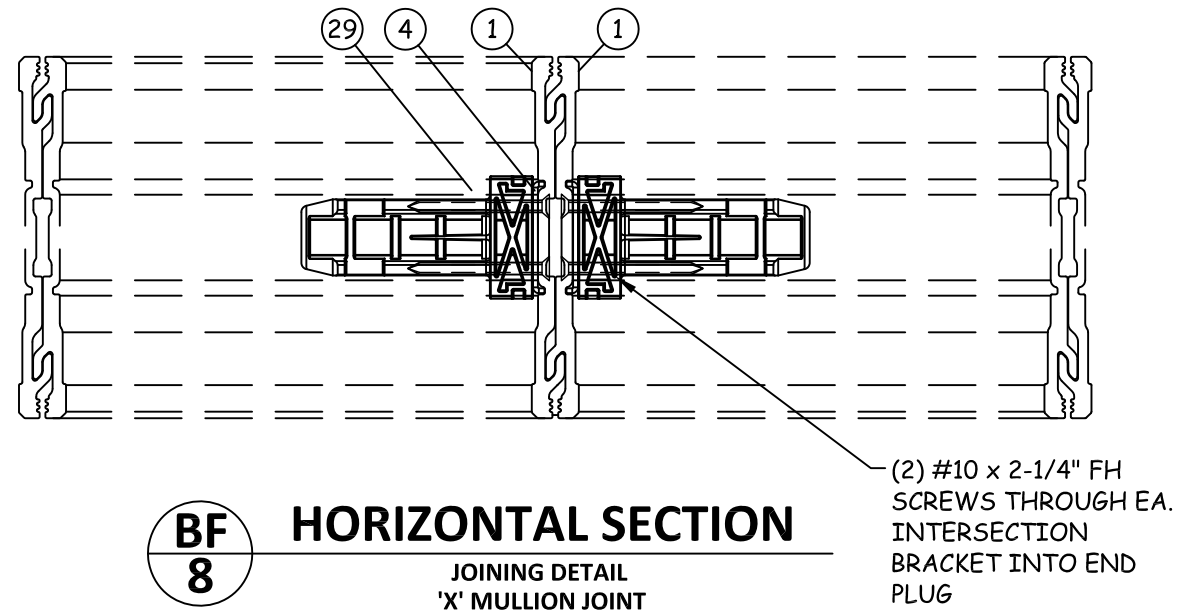
PREPARED BY:
BUILDING DROPS, INC.
398 E. DANIA BEACH BLVD. #338
DANIA BEACH, FL 33004
PH: (954) 399-8478 FX: (954) 744-4738

REVISIONS		NO.	DESCRIPTION	BY	DATE



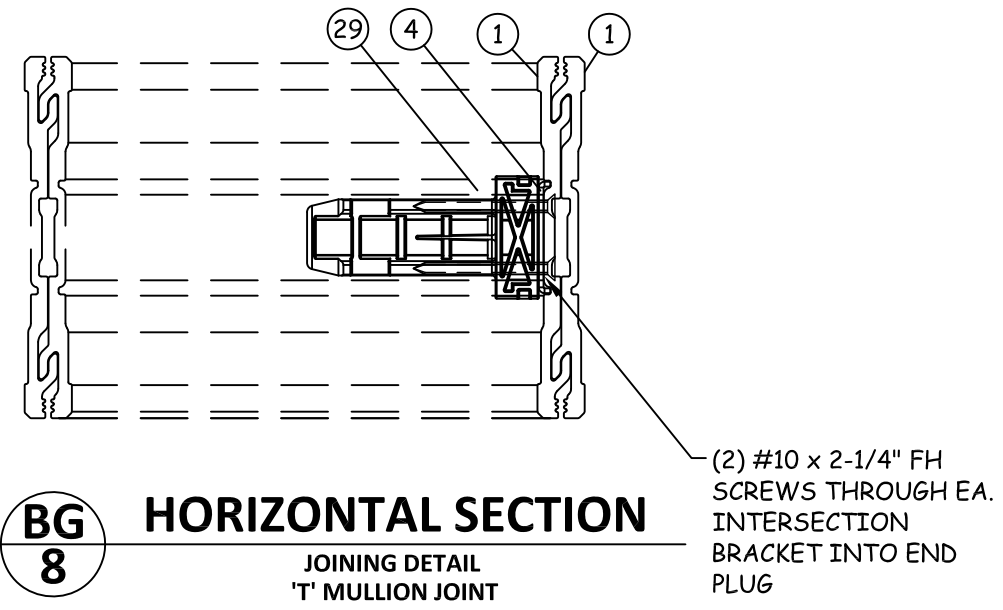
DATE: 10.12.15
DWN BY: LMS
CHK BY: HFN
SCALE: NTS

DWG #: **AWD099**
SHEET: **7 OF 20**



BF 8 HORIZONTAL SECTION
 JOINING DETAIL
 'X' MULLION JOINT

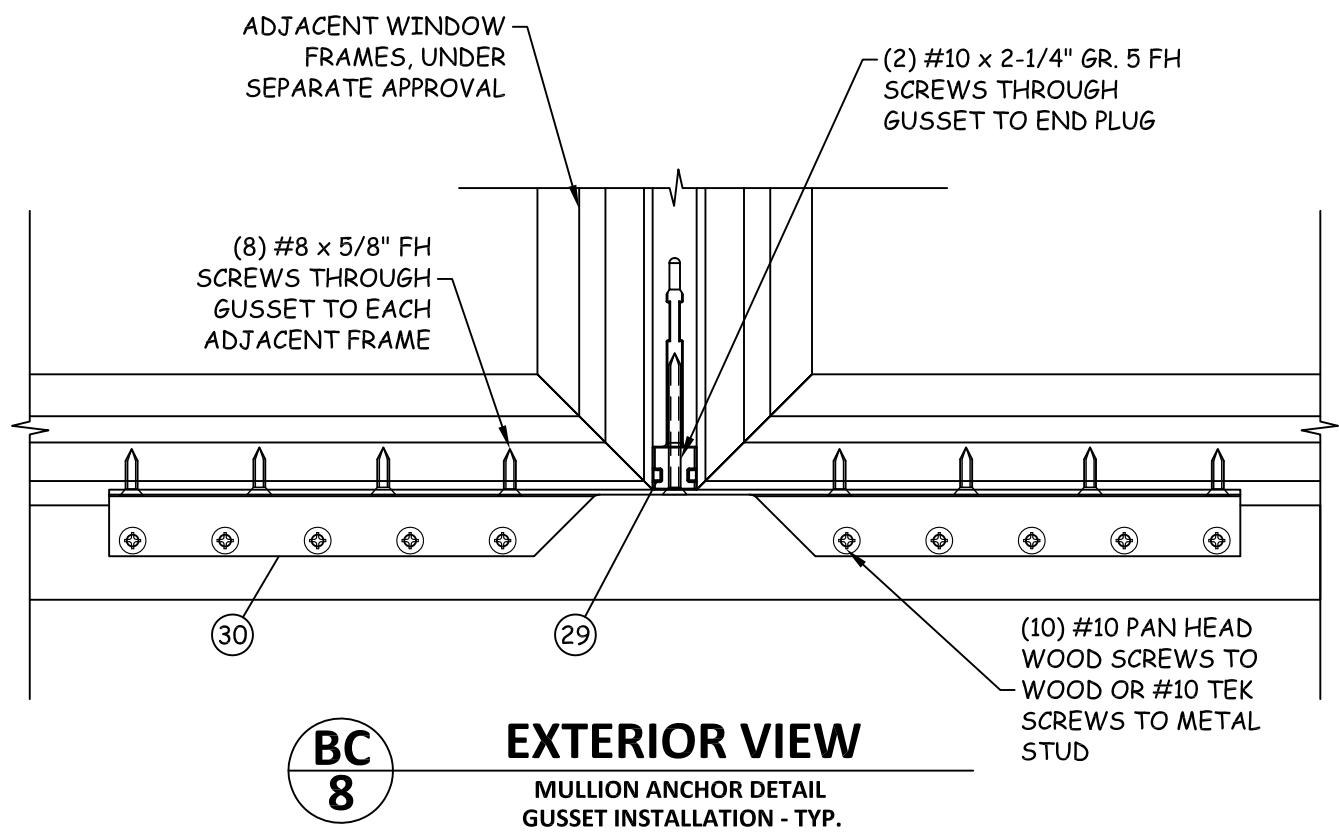
(2) #10 x 2-1/4" FH
 SCREWS THROUGH EA.
 INTERSECTION
 BRACKET INTO END
 PLUG



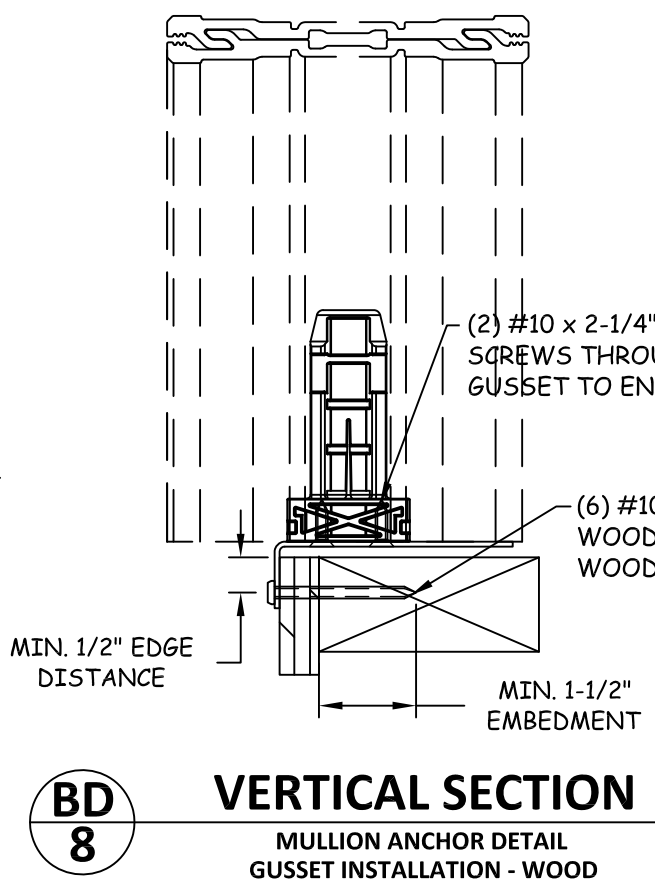
BG 8 HORIZONTAL SECTION
 JOINING DETAIL
 'T' MULLION JOINT

(2) #10 x 2-1/4" FH
 SCREWS THROUGH EA.
 INTERSECTION
 BRACKET INTO END
 PLUG

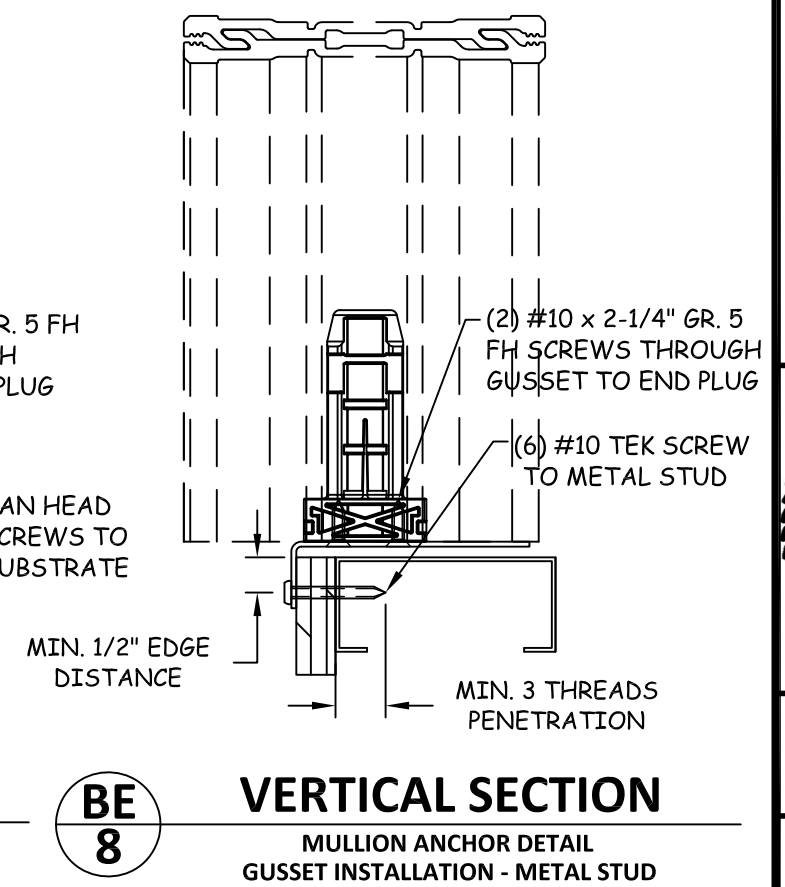
NOTE:
 INSTALLATION DETAILS ARE
 APPLICABLE TO 6-9/16" REINFORCED
 MULLION ASSEMBLIES.



BC 8 EXTERIOR VIEW
 MULLION ANCHOR DETAIL
 GUSSET INSTALLATION - TYP.



BD 8 VERTICAL SECTION
 MULLION ANCHOR DETAIL
 GUSSET INSTALLATION - WOOD



BE 8 VERTICAL SECTION
 MULLION ANCHOR DETAIL
 GUSSET INSTALLATION - METAL STUD

TITLE: A SERIES REINFORCED
 MULLION ASSEMBLY
 GUSSET
 INSTALLATION DETAILS

PREPARED BY:
 BUILDING DROPS, INC.
 398 E. DANIA BEACH BLVD. #338
 DANIA BEACH, FL 33004
 PH: (954) 399-8478 FX: (954) 744-4738

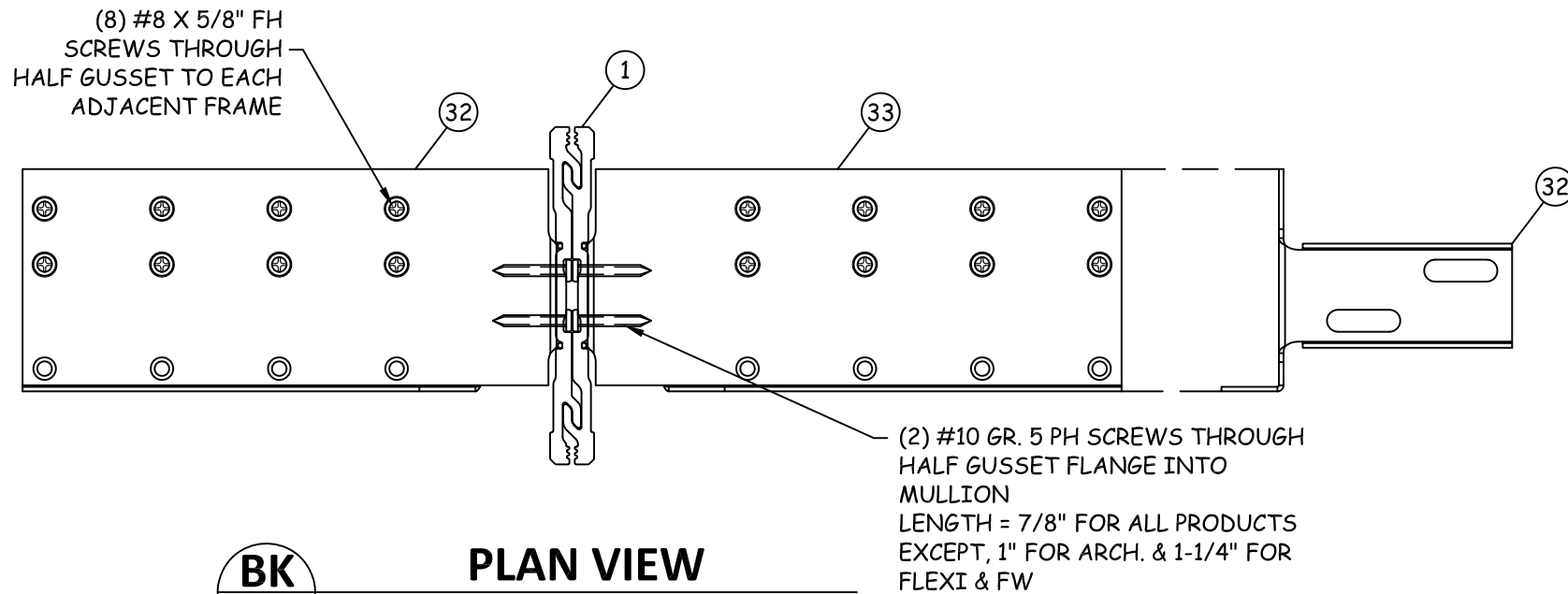
NO.	DESCRIPTION	REVISIONS	
		BY	DATE



DATE: 10.12.15
 DWN BY: LMS
 CHK BY: HFN
 SCALE: NTS

DWG #: **AWD099**
 SHEET: **8 OF 20**

3/7/2016 2:56 PM s:\projects\andersen\windows\101-15-1222 reinforced fg a series mullions\dwgs\awd099.dwg

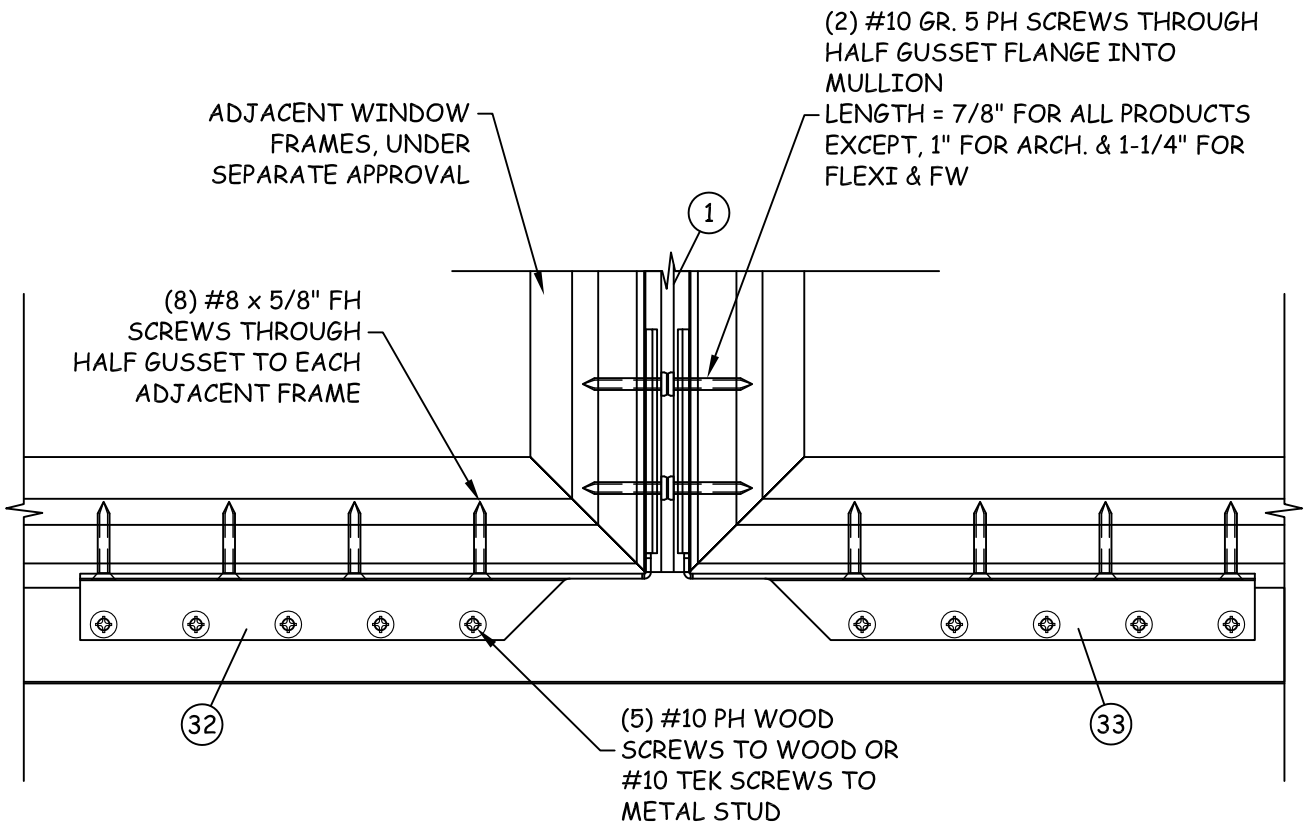


BK 9
PLAN VIEW
 MULLION ANCHOR DETAIL
 HALF GUSSET INSTALLATION - TYP.

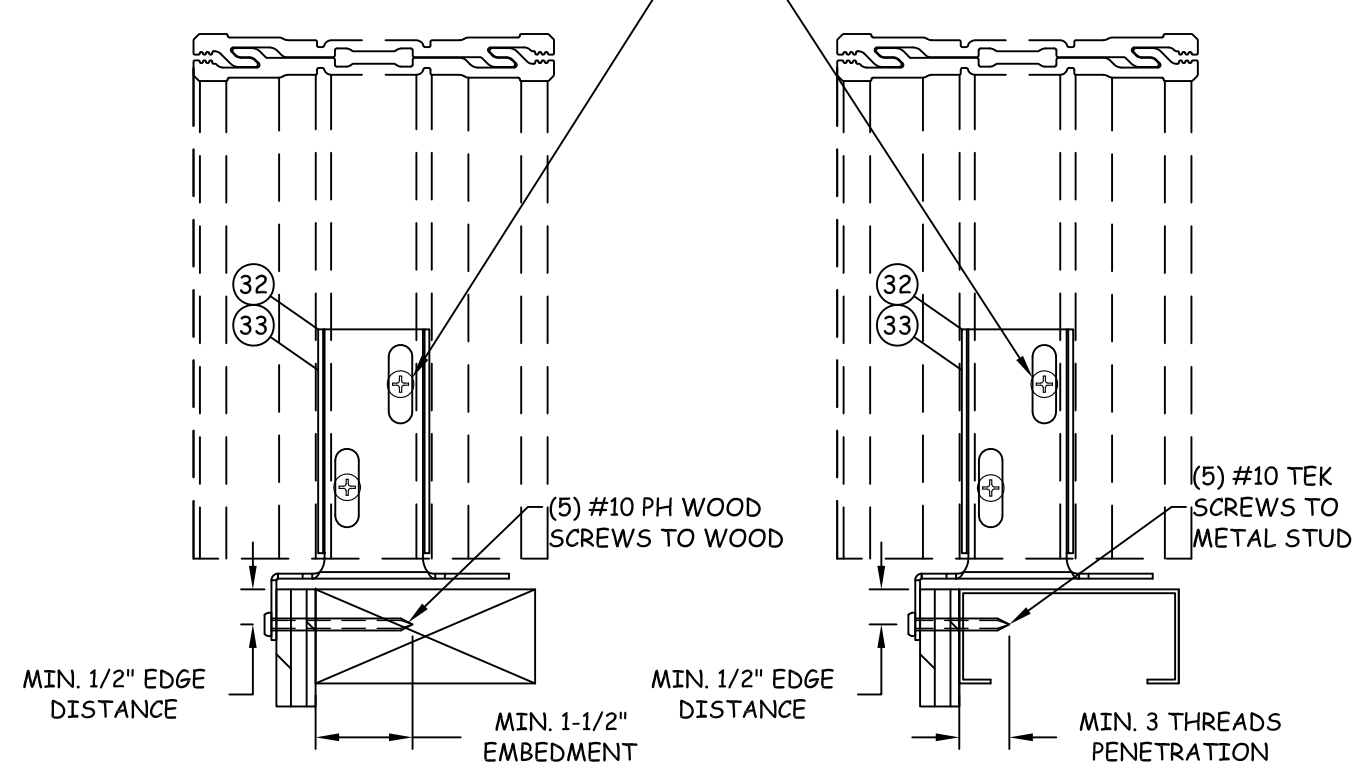
NOTE:
 INSTALLATION DETAILS ARE
 APPLICABLE TO 6-9/16" REINFORCED
 MULLION ASSEMBLIES.

(2) #10 GR. 5 PH SCREWS THROUGH
 HALF GUSSET FLANGE INTO
 MULLION
 LENGTH = 7/8" FOR ALL PRODUCTS
 EXCEPT, 1" FOR ARCH. & 1-1/4" FOR
 FLEXI & FW

(2) #10 GR. 5 PH SCREWS THROUGH
 HALF GUSSET FLANGE INTO
 MULLION
 LENGTH = 7/8" FOR ALL PRODUCTS
 EXCEPT, 1" FOR ARCH. & 1-1/4" FOR
 FLEXI & FW



BH 9
EXTERIOR VIEW
 MULLION ANCHOR DETAIL
 HALF GUSSET INSTALLATION - TYP.



BI 9
VERTICAL SECTION
 MULLION ANCHOR DETAIL
 HALF GUSSET INSTALLATION - WOOD

BJ 9
VERTICAL SECTION
 MULLION ANCHOR DETAIL
 HALF GUSSET INSTALLATION - METAL STUD

TITLE: A SERIES REINFORCED
 MULLION ASSEMBLY
 HALF GUSSET
 INSTALLATION DETAILS

PREPARED BY:
 BUILDING DROPS, INC.
 398 E. DANIA BEACH BLVD. #338
 DANIA BEACH, FL 33004
 PH: (954) 399-8478 FX: (954) 744-4738

NO.	REVISIONS DESCRIPTION	BY	DATE



DATE: 10.12.15	DWN BY: LMS	CHK BY: HFN	SCALE: NTS
-------------------	----------------	----------------	---------------

DWG #:
AWD099
 SHEET: **9 OF 20**

3/7/2016 2:56 PM s:\projects\andersen\windows\141-15-1222 reinforced fg a series mullions\dwgs\awd099.dwg

3/7/2016 2:56 PM

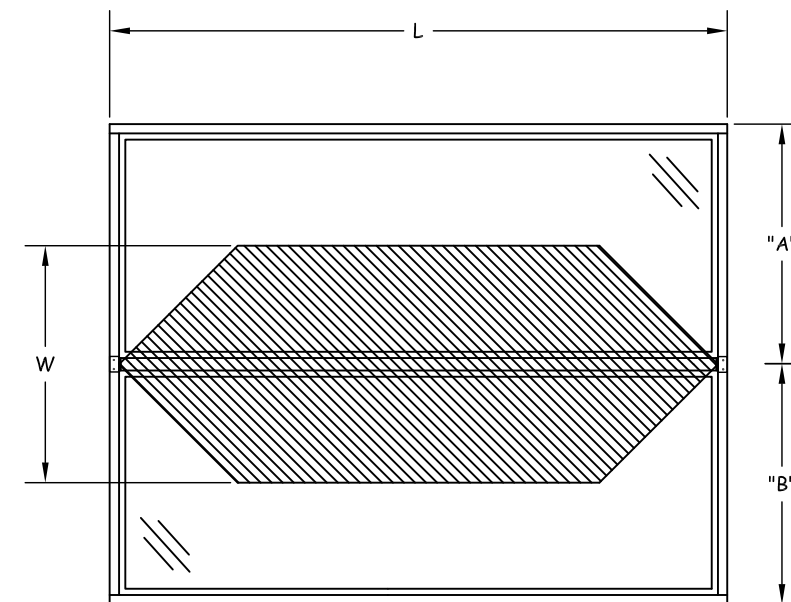
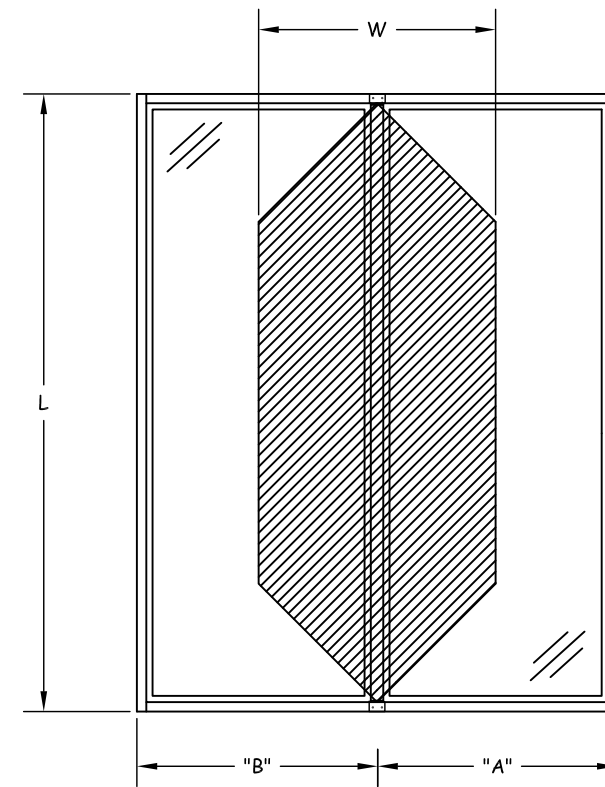
s:\projects\andersen\windows\141-15-1222 reinforced fg a series mullions\awds\awd099.dwg

MAXIMUM DESIGN PRESSURE CAPACITY CHART (PSF): GROUP I

L - Mull Length (in)	W - Tributary Width (in)													
	18.0	21.0	24.0	27.0	30.0	33.0	36.0	42.0	48.0	54.0	60.0	66.0	72.0	
24.0	100.0	100.0	100.0	100.0	100.0	100.0	100.0	100.0	100.0	100.0	100.0	100.0	100.0	100.0
30.0	100.0	100.0	100.0	100.0	100.0	100.0	100.0	100.0	100.0	100.0	100.0	100.0	100.0	100.0
36.0	100.0	100.0	100.0	100.0	100.0	100.0	100.0	100.0	100.0	100.0	100.0	100.0	100.0	100.0
42.0	100.0	100.0	100.0	100.0	100.0	100.0	100.0	100.0	100.0	100.0	100.0	100.0	100.0	100.0
48.0	100.0	100.0	100.0	100.0	100.0	100.0	100.0	100.0	100.0	100.0	100.0	100.0	100.0	100.0
54.0	100.0	100.0	100.0	100.0	100.0	100.0	100.0	100.0	100.0	100.0	100.0	100.0	100.0	100.0
60.0	100.0	100.0	100.0	100.0	100.0	100.0	100.0	100.0	100.0	100.0	100.0	100.0	100.0	100.0
66.0	100.0	100.0	100.0	100.0	100.0	100.0	100.0	100.0	100.0	100.0	100.0	100.0	100.0	100.0
72.0	100.0	100.0	100.0	100.0	100.0	100.0	100.0	100.0	100.0	100.0	96.8	93.4	91.4	90.8
78.0	100.0	100.0	100.0	100.0	100.0	100.0	100.0	98.3	90.8	85.4	81.7	79.2	77.8	
84.0	100.0	100.0	100.0	100.0	100.0	100.0	99.0	88.9	81.7	75.1	70.2	66.7	64.3	
90.0	100.0	100.0	100.0	100.0	100.0	96.6	89.4	78.2	70.1	64.1	59.6	56.2	53.8	
96.0	100.0	100.0	100.0	100.0	92.3	84.5	78.0	68.1	60.8	55.4	51.3	48.1	45.7	
102.0	100.0	100.0	100.0	90.0	81.4	74.5	68.7	59.8	53.3	48.4	44.7	41.7	39.5	
108.0	100.0	100.0	89.6	80.0	72.4	66.2	61.0	53.0	47.2	42.7	39.3	36.6	34.5	
114.0	100.0	91.5	80.3	71.7	64.8	59.2	54.6	47.3	42.0	38.0	34.8	32.4	30.4	
120.0	95.9	82.5	72.4	64.6	58.3	53.3	49.1	42.5	37.7	34.0	31.1	28.9	27.0	
126.0	87.0	74.7	65.6	58.5	52.8	48.2	44.4	38.4	34.0	30.7	28.0	25.9	24.2	
132.0	79.2	68.0	59.7	53.2	48.0	43.8	40.3	34.9	30.9	27.8	25.3	23.4	21.8	
138.0	69.4	59.6	52.3	46.7	42.2	38.5	35.5	30.7	27.2	24.5	22.4	20.7	19.3	
144.0	61.0	52.4	46.0	41.0	37.1	33.8	31.1	26.9	23.8	21.4	19.6	18.1	16.8	

NOTE:

- 1) MULLION CHART APPLIES TO 4-9/16" (ITEM #1A) GROUP I REINFORCED COMPOSITE MULL ASSEMBLIES, WHEN MULLED IN ONE-WAY, STACK OR RIBBON, CONFIGURATIONS.
- 2) DESIGN PRESSURE VALUES ARE POSITIVE AND NEGATIVE IN PSF.
- 3) MAXIMUM DEFLECTION HAS BEEN LIMITED TO L/180.
- 4) DESIGN PRESSURE OF ASSEMBLY IS LIMITED TO THE LESSER DESIGN PRESSURE OF THE MULLION ASSEMBLY OR THE INDIVIDUAL UNIT OF INSTALLATION. ADJACENT WINDOWS OR DOORS SHALL BE UNDER SEPARATE APPROVAL.
- 5) MULLION CHART APPLIES TO THE FOLLOWING INSTALLATION CONDITIONS:
 - GUSSET INSTALLATION TO WOOD OR METAL STUD
 - HALF GUSSET INSTALLATION TO WOOD OR METAL STUD.
- 6) TRIBUTARY WIDTH = $W = (A+B)/2$
- 7) REFER TO SHEETS 8 & 9 FOR INSTALLATION DETAILS.
- 8) WHEN WINDOWS ARE STACKED VERTICALLY, THE MANUFACTURER/INSTALLER SHALL ENSURE THAT THE WEIGHT OF UNITS ABOVE WILL NOT CAUSE DEFLECTIONS OR STRESSES WHICH WILL AFFECT OPERATION OR STRUCTURAL ADEQUACY OF UNITS BELOW.



100 FOURTH AVE NORTH
BAYPORT, MN 55003-1096
PH: (651) 264-5150 FX: (651) 264-5485

TITLE: A SERIES REINFORCED MULLION ASSEMBLY ONE WAY LOAD TABLE: GROUP I
PREPARED BY: BUILDING DROPS, INC. 398 E. DANIA BEACH BLVD. #338 DANIA BEACH, FL 33004
PH: (954) 399-8478 FX: (954) 744-4738

REVISIONS	NO.	DESCRIPTION	BY	DATE



DATE: 10.12.15
DWN BY: LMS
CHK BY: HFN
SCALE: NTS

DWG #: **AWD099**
SHEET: **10 OF 20**

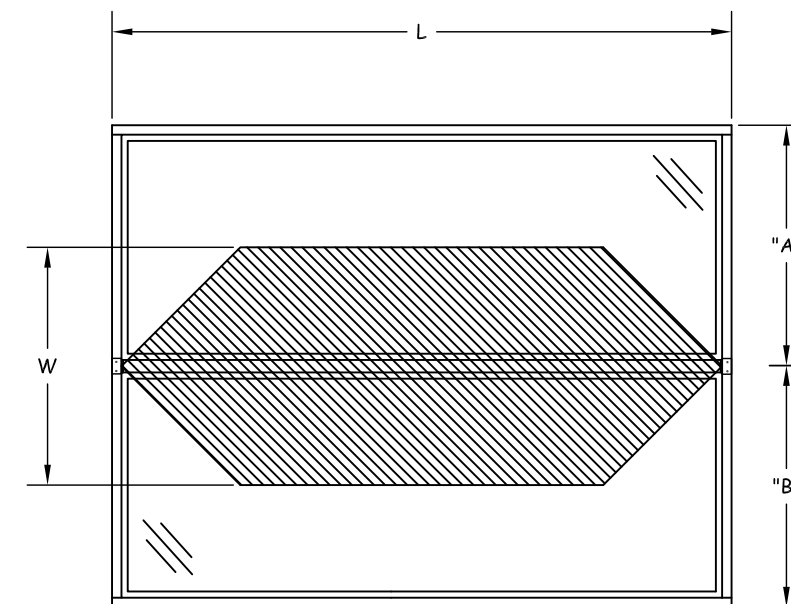
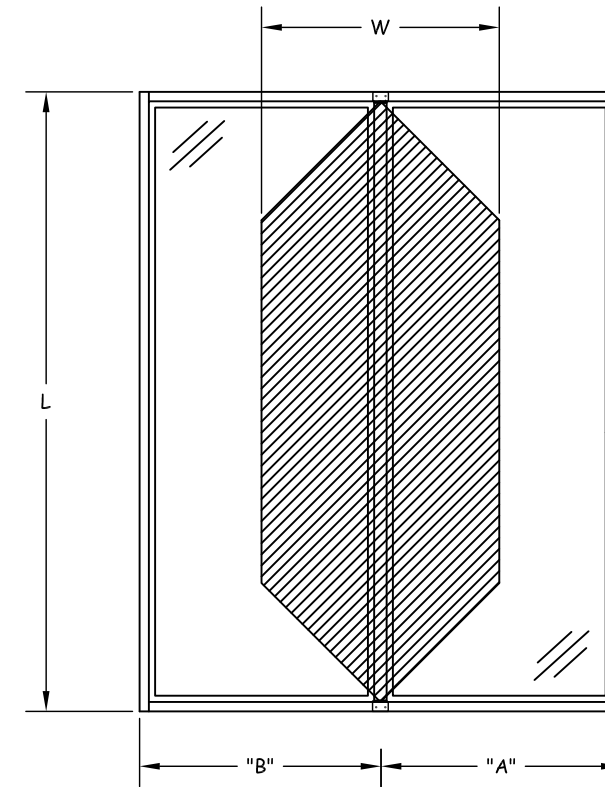
s:\projects\andersen\windows\141-15-1222 reinforced fg a series mullions\awds\awd099.dwg 3/7/2016 2:56 PM

MAXIMUM DESIGN PRESSURE CAPACITY CHART (PSF): GROUP II

L - Mull Length (in)	W - Tributary Width (in)													
	18.0	21.0	24.0	27.0	30.0	33.0	36.0	42.0	48.0	54.0	60.0	66.0	72.0	
24.0	100.0	100.0	100.0	100.0	100.0	100.0	100.0	100.0	100.0	100.0	100.0	100.0	100.0	100.0
30.0	100.0	100.0	100.0	100.0	100.0	100.0	100.0	100.0	100.0	100.0	100.0	100.0	100.0	100.0
36.0	100.0	100.0	100.0	100.0	100.0	100.0	100.0	100.0	100.0	100.0	100.0	100.0	100.0	100.0
42.0	100.0	100.0	100.0	100.0	100.0	100.0	100.0	100.0	100.0	100.0	100.0	100.0	100.0	100.0
48.0	100.0	100.0	100.0	100.0	100.0	100.0	100.0	100.0	100.0	100.0	100.0	100.0	100.0	100.0
54.0	100.0	100.0	100.0	100.0	100.0	100.0	100.0	100.0	100.0	100.0	100.0	100.0	100.0	100.0
60.0	100.0	100.0	100.0	100.0	100.0	100.0	100.0	100.0	100.0	100.0	100.0	100.0	100.0	100.0
66.0	100.0	100.0	100.0	100.0	100.0	100.0	100.0	100.0	100.0	100.0	100.0	100.0	100.0	100.0
72.0	100.0	100.0	100.0	100.0	100.0	100.0	100.0	100.0	100.0	100.0	96.8	93.4	91.4	90.8
78.0	100.0	100.0	100.0	100.0	100.0	100.0	100.0	98.3	90.8	85.4	81.7	79.2	77.8	77.8
84.0	100.0	100.0	100.0	100.0	100.0	100.0	99.0	88.9	81.7	76.4	72.6	69.9	68.1	68.1
90.0	100.0	100.0	100.0	100.0	100.0	97.0	90.8	81.2	74.3	69.2	65.4	62.5	60.5	60.5
96.0	100.0	100.0	100.0	100.0	96.8	89.7	83.8	74.7	68.1	63.2	59.4	56.6	54.5	54.5
102.0	100.0	100.0	100.0	98.5	90.2	83.4	77.8	69.2	62.8	58.1	54.1	50.5	47.8	47.8
108.0	100.0	100.0	100.0	92.2	84.3	77.9	72.6	64.2	57.1	51.7	47.6	44.3	41.7	41.7
114.0	100.0	100.0	96.1	86.7	78.5	71.7	66.1	57.3	50.9	46.0	42.2	39.2	36.8	36.8
120.0	100.0	95.1	83.5	74.6	67.4	61.6	56.9	49.4	43.9	39.7	36.4	33.9	31.8	31.8
126.0	95.4	82.0	72.0	64.3	58.1	53.1	48.9	42.5	37.7	34.0	31.2	28.9	27.1	27.1
132.0	82.9	71.3	62.6	55.8	50.4	46.1	42.4	36.8	32.6	29.4	26.9	24.9	23.3	23.3
138.0	72.5	62.3	54.7	48.8	44.1	40.2	37.0	32.1	28.4	25.6	23.4	21.6	20.2	20.2
144.0	63.8	54.8	48.1	42.9	38.7	35.3	32.5	28.1	24.9	22.4	20.4	18.9	17.6	17.6

NOTE:

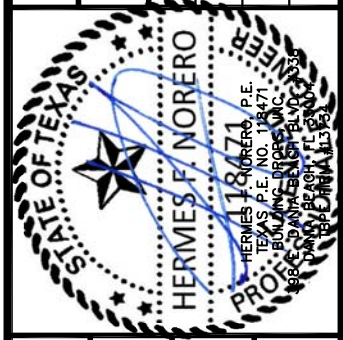
- 1) MULLION CHART APPLIES TO 4-9/16" (ITEM #1A) GROUP II REINFORCED COMPOSITE MULL ASSEMBLIES, WHEN MULLED IN ONE-WAY, STACK OR RIBBON, CONFIGURATIONS.
- 2) DESIGN PRESSURE VALUES ARE POSITIVE AND NEGATIVE IN PSF.
- 3) MAXIMUM DEFLECTION HAS BEEN LIMITED TO L/180.
- 4) DESIGN PRESSURE OF ASSEMBLY IS LIMITED TO THE LESSER DESIGN PRESSURE OF THE MULLION ASSEMBLY OR THE INDIVIDUAL UNIT OF INSTALLATION. ADJACENT WINDOWS OR DOORS SHALL BE UNDER SEPARATE APPROVAL.
- 5) MULLION CHART APPLIES TO THE FOLLOWING INSTALLATION CONDITIONS:
 - GUSSET INSTALLATION TO WOOD OR METAL STUD
 - HALF GUSSET INSTALLATION TO WOOD OR METAL STUD.
- 6) TRIBUTARY WIDTH = $W = (A+B)/2$
- 7) REFER TO SHEETS 8 & 9 FOR INSTALLATION DETAILS.
- 8) WHEN WINDOWS ARE STACKED VERTICALLY, THE MANUFACTURER/INSTALLER SHALL ENSURE THAT THE WEIGHT OF UNITS ABOVE WILL NOT CAUSE DEFLECTIONS OR STRESSES WHICH WILL AFFECT OPERATION OR STRUCTURAL ADEQUACY OF UNITS BELOW.



100 FOURTH AVE NORTH
BAYPORT, MN 55003-1096
PH: (651) 264-5150 FX: (651) 264-5485

TITLE: A SERIES REINFORCED MULLION ASSEMBLY ONE WAY LOAD TABLE: GROUP II
PREPARED BY: BUILDING DROPS, INC. 398 E. DANIA BEACH BLVD. #338 DANIA BEACH, FL 33004
PH: (954) 399-8478 FX: (954) 744-4738

NO.	DESCRIPTION	BY	DATE



DATE: 10.12.15
DWN BY: LMS
CHK BY: HFN
SCALE: NTS

DWG #: **AWD099**
SHEET: **11 OF 20**

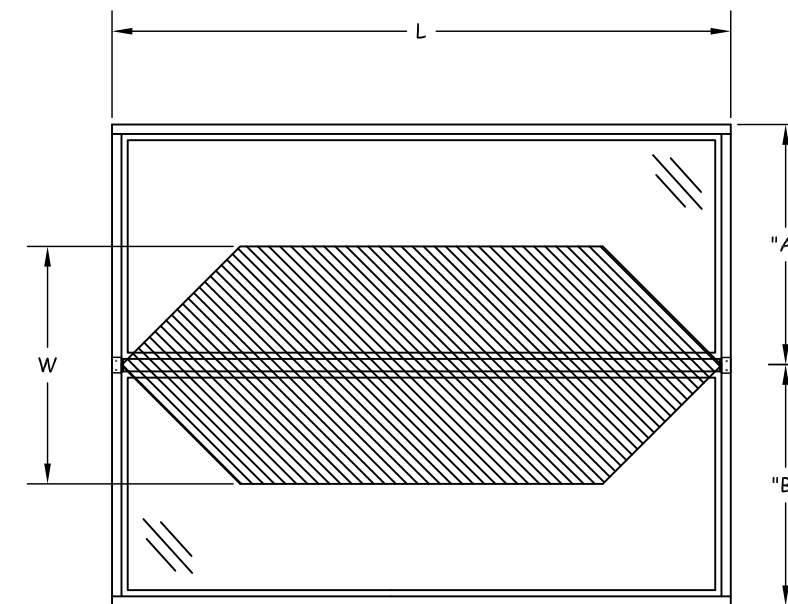
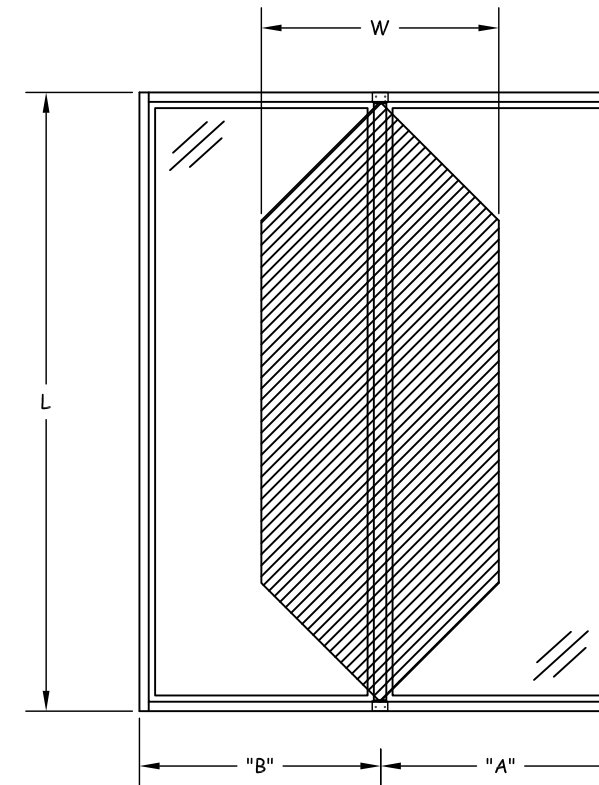
s:\projects\andersen\windows\141-15-1222_reinforced_fg_a_series_mullions\awds\awd099.dwg 3/7/2016 2:56 PM

MAXIMUM DESIGN PRESSURE CAPACITY CHART (PSF): GROUP III

L - Mull Length (in)	W - Tributary Width (in)												
	18.0	21.0	24.0	27.0	30.0	33.0	36.0	42.0	48.0	54.0	60.0	66.0	72.0
24.0	100.0	100.0	100.0	100.0	100.0	100.0	100.0	100.0	100.0	100.0	100.0	100.0	100.0
30.0	100.0	100.0	100.0	100.0	100.0	100.0	100.0	100.0	100.0	100.0	100.0	100.0	100.0
36.0	100.0	100.0	100.0	100.0	100.0	100.0	100.0	100.0	100.0	100.0	100.0	100.0	100.0
42.0	100.0	100.0	100.0	100.0	100.0	100.0	100.0	100.0	100.0	100.0	100.0	100.0	100.0
48.0	100.0	100.0	100.0	100.0	100.0	100.0	100.0	100.0	100.0	100.0	100.0	100.0	100.0
54.0	100.0	100.0	100.0	100.0	100.0	100.0	100.0	100.0	100.0	100.0	100.0	100.0	100.0
60.0	100.0	100.0	100.0	100.0	100.0	100.0	100.0	100.0	100.0	100.0	100.0	100.0	100.0
66.0	100.0	100.0	100.0	100.0	100.0	100.0	100.0	100.0	100.0	100.0	100.0	100.0	100.0
72.0	100.0	100.0	100.0	100.0	100.0	100.0	100.0	100.0	100.0	96.8	93.4	91.4	90.8
78.0	100.0	100.0	100.0	100.0	100.0	100.0	100.0	98.3	90.8	85.4	81.7	79.2	77.8
84.0	100.0	100.0	100.0	100.0	100.0	100.0	99.0	88.9	81.7	76.4	72.6	69.9	68.1
90.0	100.0	100.0	100.0	100.0	100.0	97.0	90.8	81.2	74.3	69.2	65.4	62.5	60.5
96.0	100.0	100.0	100.0	100.0	96.8	89.7	83.8	74.7	68.1	63.2	59.4	56.6	54.5
102.0	100.0	100.0	100.0	98.5	90.2	83.4	77.8	69.2	62.8	58.1	54.5	51.7	49.5
108.0	100.0	100.0	100.0	92.2	84.3	77.9	72.6	64.4	58.4	53.8	50.3	47.5	45.4
114.0	100.0	100.0	96.1	86.7	79.2	73.1	68.1	60.2	54.5	49.5	45.6	42.5	40.0
120.0	100.0	100.0	88.5	79.0	71.5	65.4	60.3	52.4	46.5	42.1	38.6	35.9	33.7
126.0	100.0	86.9	76.3	68.1	61.6	56.3	51.9	45.0	39.9	36.1	33.1	30.6	28.7
132.0	87.9	75.5	66.3	59.2	53.5	48.8	45.0	39.0	34.6	31.2	28.5	26.4	24.7
138.0	76.8	66.0	58.0	51.7	46.7	42.6	39.3	34.0	30.1	27.1	24.8	22.9	21.4
144.0	67.6	58.1	51.0	45.4	41.0	37.5	34.5	29.8	26.4	23.7	21.7	20.0	18.6

NOTE:

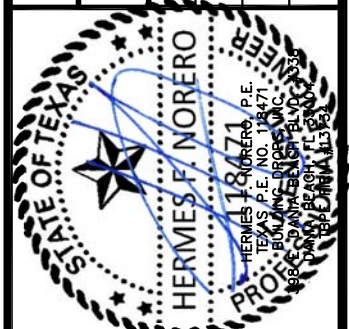
- 1) MULLION CHART APPLIES TO 4-9/16" (ITEM #1A) GROUP III REINFORCED COMPOSITE MULL ASSEMBLIES, WHEN MULLED IN ONE-WAY, STACK OR RIBBON, CONFIGURATIONS.
- 2) DESIGN PRESSURE VALUES ARE POSITIVE AND NEGATIVE IN PSF.
- 3) MAXIMUM DEFLECTION HAS BEEN LIMITED TO L/180.
- 4) DESIGN PRESSURE OF ASSEMBLY IS LIMITED TO THE LESSER DESIGN PRESSURE OF THE MULLION ASSEMBLY OR THE INDIVIDUAL UNIT OF INSTALLATION. ADJACENT WINDOWS OR DOORS SHALL BE UNDER SEPARATE APPROVAL.
- 5) MULLION CHART APPLIES TO THE FOLLOWING INSTALLATION CONDITIONS:
 - GUSSET INSTALLATION TO WOOD OR METAL STUD
 - HALF GUSSET INSTALLATION TO WOOD OR METAL STUD.
- 6) TRIBUTARY WIDTH = $W = (A+B)/2$
- 7) REFER TO SHEETS 8 & 9 FOR INSTALLATION DETAILS.
- 8) WHEN WINDOWS ARE STACKED VERTICALLY, THE MANUFACTURER/INSTALLER SHALL ENSURE THAT THE WEIGHT OF UNITS ABOVE WILL NOT CAUSE DEFLECTIONS OR STRESSES WHICH WILL AFFECT OPERATION OR STRUCTURAL ADEQUACY OF UNITS BELOW.



100 FOURTH AVE NORTH
BAYPORT, MN 55003-1096
PH: (651) 264-5150 FX: (651) 264-5485

TITLE: A SERIES REINFORCED MULLION ASSEMBLY ONE WAY LOAD TABLE: GROUP III
PREPARED BY: BUILDING DROPS, INC. 398 E. DANIA BEACH BLVD. #338 DANIA BEACH, FL 33004
PH: (954) 399-8478 FX: (954) 744-4738

NO.	DESCRIPTION	BY	DATE



DATE: 10.12.15
DWN BY: LMS
CHK BY: HFN
SCALE: NTS

DWG #: **AWD099**
SHEET: **12 OF 20**

3/7/2016 2:56 PM

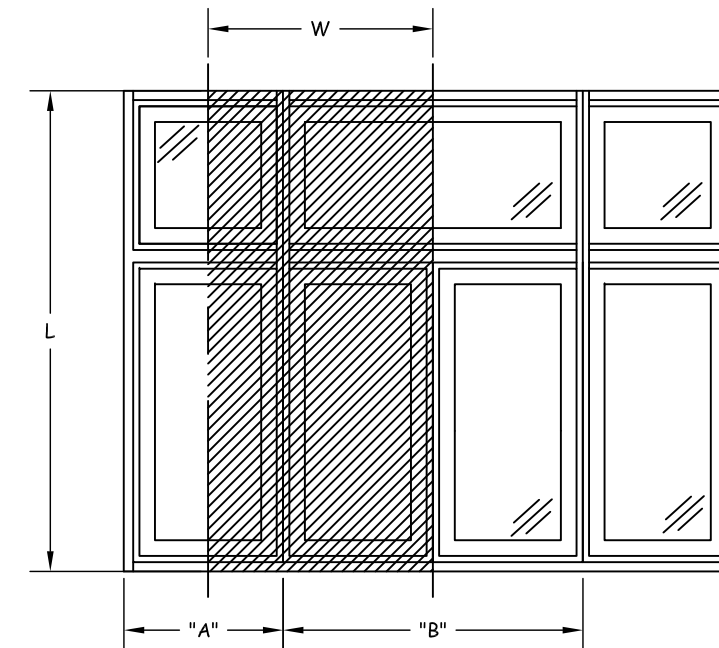
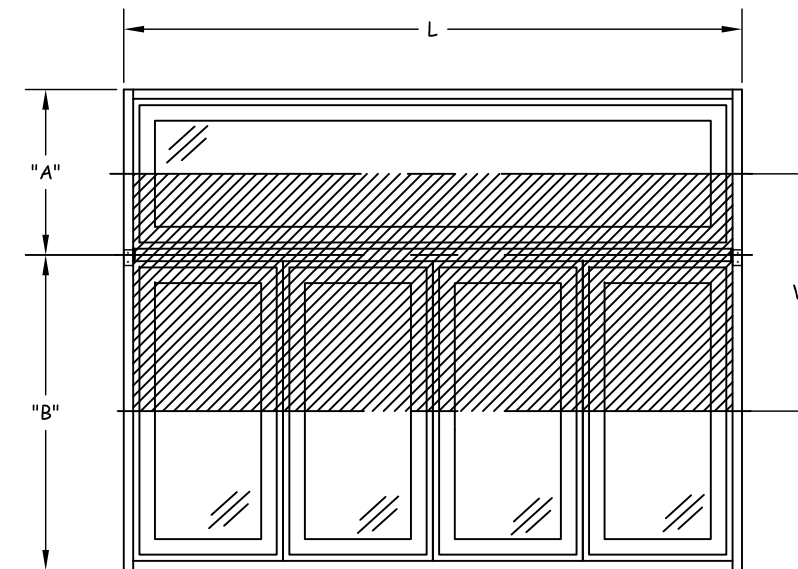
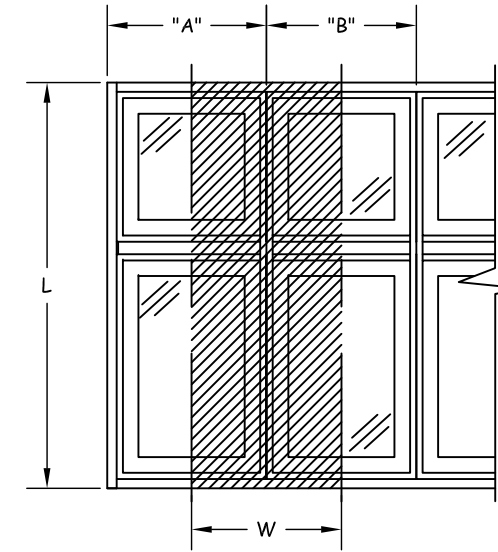
s:\projects\andersen\windows\141-15-1222 reinforced fg a series mullions\awd099.dwg

MAXIMUM DESIGN PRESSURE CAPACITY CHART (PSF): GROUP I, II, OR III (TWO-WAY CONFIGURATIONS)

L - Mull Length (in)	W - Tributary Width (in)												
	18.0	21.0	24.0	27.0	30.0	33.0	36.0	42.0	48.0	54.0	60.0	66.0	72.0
24.0	100.0	100.0	100.0	100.0	100.0	100.0	100.0	100.0	100.0	100.0	100.0	100.0	100.0
30.0	100.0	100.0	100.0	100.0	100.0	100.0	100.0	100.0	100.0	100.0	100.0	100.0	100.0
36.0	100.0	100.0	100.0	100.0	100.0	100.0	100.0	100.0	100.0	100.0	100.0	99.0	90.8
42.0	100.0	100.0	100.0	100.0	100.0	100.0	100.0	100.0	100.0	100.0	93.4	84.9	77.8
48.0	100.0	100.0	100.0	100.0	100.0	100.0	100.0	100.0	100.0	90.8	81.7	74.3	68.1
54.0	100.0	100.0	100.0	100.0	100.0	100.0	100.0	100.0	90.8	80.7	72.6	66.0	60.5
60.0	100.0	100.0	100.0	100.0	100.0	100.0	100.0	93.4	81.7	72.6	65.4	59.4	54.5
66.0	100.0	100.0	100.0	100.0	100.0	100.0	99.0	84.9	74.3	66.0	59.4	54.0	49.5
72.0	100.0	100.0	100.0	100.0	100.0	99.0	90.8	77.8	68.1	60.5	54.5	49.5	45.4
78.0	100.0	100.0	100.0	100.0	100.0	91.4	83.8	71.8	62.8	55.9	50.3	45.7	41.9
84.0	100.0	100.0	100.0	100.0	93.4	84.9	77.8	66.7	58.4	51.9	46.7	42.4	38.9
90.0	100.0	100.0	100.0	96.8	87.1	79.2	72.6	62.2	54.5	48.4	43.6	39.6	36.3
96.0	100.0	100.0	100.0	90.0	81.0	73.6	67.5	57.8	50.6	45.0	40.5	36.8	33.7
102.0	100.0	100.0	89.6	79.7	71.7	65.2	59.8	51.2	44.8	39.8	35.9	32.6	29.9
108.0	100.0	91.4	80.0	71.1	64.0	58.2	53.3	45.7	40.0	35.5	32.0	29.1	26.7
114.0	95.7	82.0	71.8	63.8	57.4	52.2	47.8	41.0	35.9	31.9	28.7	26.1	23.9
120.0	86.4	74.0	64.8	57.6	51.8	47.1	43.2	37.0	32.4	28.8	25.9	23.6	21.6
126.0	78.3	67.1	58.7	52.2	47.0	42.7	39.2	33.6	29.4	26.1	23.5	21.4	19.6
132.0	71.4	61.2	53.5	47.6	42.8	38.9	35.7	30.6	26.8	23.8	21.4	19.5	17.8
138.0	65.3	56.0	49.0	43.5	39.2	35.6	32.6	28.0	24.5	21.8	19.6	17.8	16.3
144.0	60.0	51.4	45.0	40.0	36.0	32.7	30.0	25.7	22.5	20.0	18.0	16.4	-

NOTE:

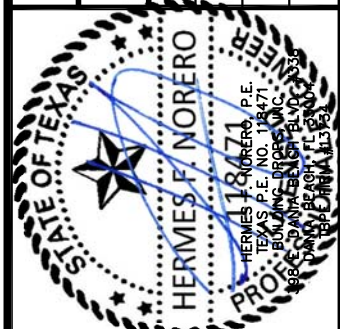
- 1) MULLION CHART APPLIES TO 4-9/16" (ITEM #1A) GROUP I, II, OR III REINFORCED COMPOSITE MULL ASSEMBLIES, WHEN MULLED IN TWO-WAY, 'X' OR 'T', CONFIGURATIONS.
- 2) DESIGN PRESSURE VALUES ARE POSITIVE AND NEGATIVE IN PSF.
- 3) MAXIMUM DEFLECTION HAS BEEN LIMITED TO L/180.
- 4) DESIGN PRESSURE OF ASSEMBLY IS LIMITED TO THE LESSER DESIGN PRESSURE OF THE MULLION ASSEMBLY OR THE INDIVIDUAL UNIT OF INSTALLATION. ADJACENT WINDOWS OR DOORS SHALL BE UNDER SEPARATE APPROVAL.
- 5) MULLION CHART APPLIES TO THE FOLLOWING INSTALLATION CONDITIONS:
 - V-NOTCH GUSSET INSTALLATION TO WOOD OR METAL STUD
 - HALF GUSSET INSTALLATION TO WOOD OR METAL STUD.
- 6) TRIBUTARY WIDTH = $W = (A+B)/2$
- 7) REFER TO SHEETS 8 OR 9 FOR INSTALLATION DETAILS.
- 8) WHEN WINDOWS ARE STACKED VERTICALLY, THE MANUFACTURER/INSTALLER SHALL ENSURE THAT THE WEIGHT OF UNITS ABOVE WILL NOT CAUSE DEFLECTIONS OR STRESSES WHICH WILL AFFECT OPERATION OR STRUCTURAL ADEQUACY OF UNITS BELOW.



100 FOURTH AVE NORTH
BAYPORT, MN 55003-1096
PH: (651) 264-5150 FX: (651) 264-5485

TITLE: A SERIES REINFORCED MULLION ASSEMBLY TWO WAY LOAD TABLE: GROUP I, II, III
PREPARED BY: BUILDING DROPS, INC. 398 E. DANIA BEACH BLVD. #338 DANIA BEACH, FL 33004
PH: (954) 399-8478 FX: (954) 744-4738

REVISIONS	NO.	DESCRIPTION	BY	DATE



DATE: 10.12.15
DWN BY: LMS
CHK BY: HFN
SCALE: NTS

DWG #: **AWD099**
SHEET: **13 OF 20**

3/7/2016 2:56 PM

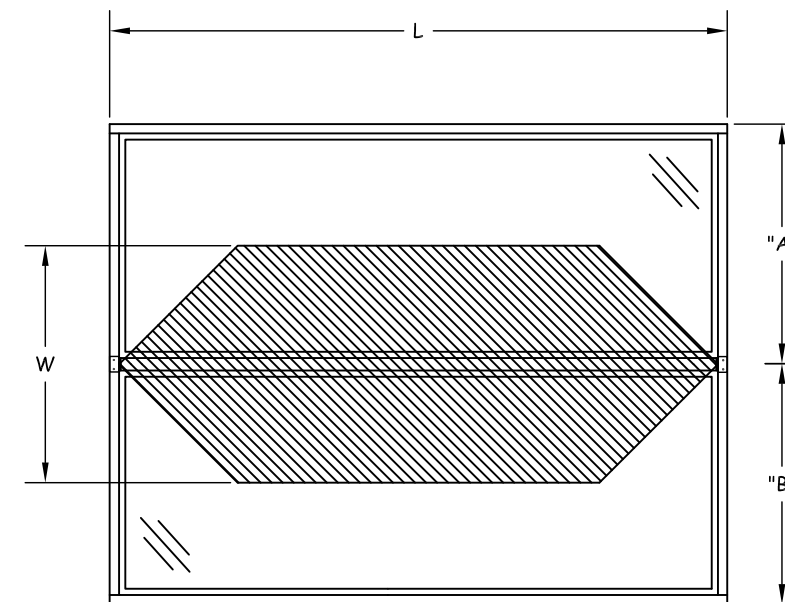
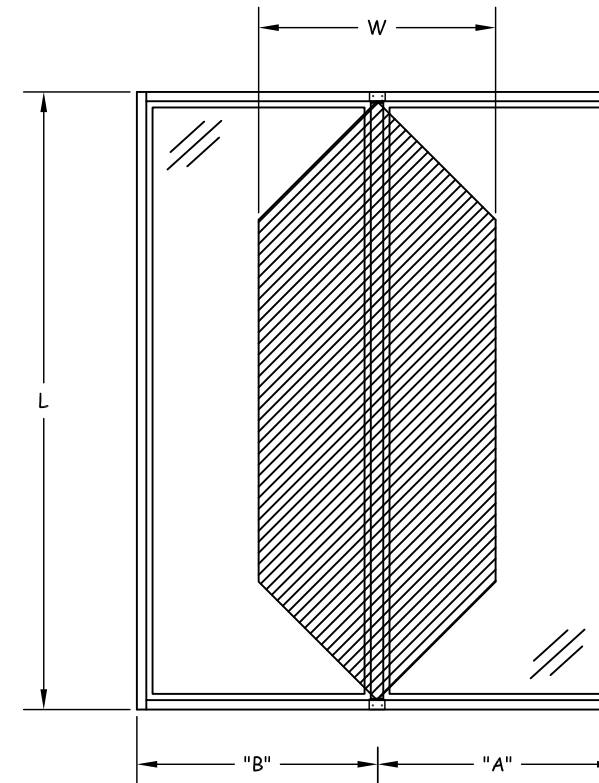
s:\projects\andersen\windows\141-15-1222 reinforced fg a series mullions\awds\awd099.dwg

MAXIMUM DESIGN PRESSURE CAPACITY CHART (PSF): GROUP IV

L - Mull Length (in)	W - Tributary Width (in)												
	18.0	21.0	24.0	27.0	30.0	33.0	36.0	42.0	48.0	54.0	60.0	66.0	72.0
24.0	100.0	100.0	100.0	100.0	100.0	100.0	100.0	100.0	100.0	100.0	100.0	100.0	100.0
30.0	100.0	100.0	100.0	100.0	100.0	100.0	100.0	100.0	100.0	100.0	100.0	100.0	100.0
36.0	100.0	100.0	100.0	100.0	100.0	100.0	100.0	100.0	100.0	100.0	100.0	100.0	100.0
42.0	100.0	100.0	100.0	100.0	100.0	100.0	100.0	100.0	100.0	100.0	100.0	100.0	100.0
48.0	100.0	100.0	100.0	100.0	100.0	100.0	100.0	100.0	100.0	100.0	100.0	100.0	100.0
54.0	100.0	100.0	100.0	100.0	100.0	100.0	100.0	100.0	100.0	100.0	100.0	100.0	100.0
60.0	100.0	100.0	100.0	100.0	100.0	100.0	100.0	100.0	100.0	100.0	100.0	100.0	100.0
66.0	100.0	100.0	100.0	100.0	100.0	100.0	100.0	100.0	100.0	100.0	100.0	100.0	100.0
72.0	100.0	100.0	100.0	100.0	100.0	100.0	100.0	100.0	100.0	100.0	100.0	100.0	100.0
78.0	100.0	100.0	100.0	100.0	100.0	100.0	100.0	100.0	100.0	100.0	100.0	100.0	98.7
84.0	100.0	100.0	100.0	100.0	100.0	100.0	100.0	100.0	100.0	96.9	92.1	88.6	86.3
90.0	100.0	100.0	100.0	100.0	100.0	100.0	100.0	100.0	94.2	87.7	82.9	79.3	76.7
96.0	100.0	100.0	100.0	100.0	100.0	100.0	100.0	94.7	86.3	80.1	75.3	71.8	69.1
102.0	100.0	100.0	100.0	100.0	100.0	100.0	98.7	87.7	79.7	73.7	69.1	65.5	62.8
108.0	100.0	100.0	100.0	100.0	100.0	98.8	92.1	81.7	74.0	68.2	63.8	60.3	57.6
114.0	100.0	100.0	100.0	100.0	100.0	92.7	86.3	76.4	69.1	63.5	59.2	55.8	53.1
120.0	100.0	100.0	100.0	100.0	94.7	87.4	81.3	71.8	64.8	59.4	55.3	52.0	49.3
126.0	100.0	100.0	100.0	98.2	89.6	82.6	76.7	67.7	60.9	55.8	51.8	48.1	45.0
132.0	100.0	100.0	100.0	93.3	85.0	78.3	72.7	64.0	56.9	51.3	46.9	43.4	40.5
138.0	100.0	100.0	95.4	85.1	76.9	70.2	64.6	56.0	49.6	44.6	40.8	37.7	35.2
144.0	100.0	95.6	83.9	74.8	67.6	61.7	56.8	49.1	43.4	39.1	35.7	32.9	30.7

NOTE:

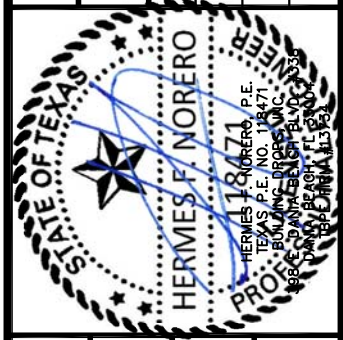
- MULLION CHART APPLIES TO 6-9/16" (ITEM #1B) GROUP IV REINFORCED COMPOSITE MULL ASSEMBLIES, WHEN MULLED IN ONE-WAY, STACK OR RIBBON, CONFIGURATIONS.
- DESIGN PRESSURE VALUES ARE POSITIVE AND NEGATIVE IN PSF.
- MAXIMUM DEFLECTION HAS BEEN LIMITED TO L/180.
- DESIGN PRESSURE OF ASSEMBLY IS LIMITED TO THE LESSER DESIGN PRESSURE OF THE MULLION ASSEMBLY OR THE INDIVIDUAL UNIT OF INSTALLATION. ADJACENT WINDOWS OR DOORS SHALL BE UNDER SEPARATE APPROVAL.
- MULLION CHART APPLIES TO THE FOLLOWING INSTALLATION CONDITIONS:
 - GUSSET INSTALLATION TO WOOD OR METAL STUD
 - HALF GUSSET INSTALLATION TO WOOD OR METAL STUD.
- TRIBUTARY WIDTH = $W = (A+B)/2$
- REFER TO SHEETS 8 & 9 FOR INSTALLATION DETAILS.
- WHEN WINDOWS ARE STACKED VERTICALLY, THE MANUFACTURER/INSTALLER SHALL ENSURE THAT THE WEIGHT OF UNITS ABOVE WILL NOT CAUSE DEFLECTIONS OR STRESSES WHICH WILL AFFECT OPERATION OR STRUCTURAL ADEQUACY OF UNITS BELOW.



100 FOURTH AVE NORTH
BAYPORT, MN 55003-1096
PH: (651) 264-5150 FX: (651) 264-5485

TITLE: A SERIES REINFORCED MULLION ASSEMBLY ONE WAY LOAD TABLE: GROUP IV
PREPARED BY: BUILDING DROPS, INC. 398 E. DANIA BEACH BLVD. #338 DANIA BEACH, FL 33004
PH: (954) 399-8478 FX: (954) 744-4738

NO.	DESCRIPTION	BY	DATE



DATE: 10.12.15
DWN BY: LMS
CHK BY: HFN
SCALE: NTS

DWG #: **AWD099**
SHEET: **14 OF 20**

3/7/2016 2:56 PM

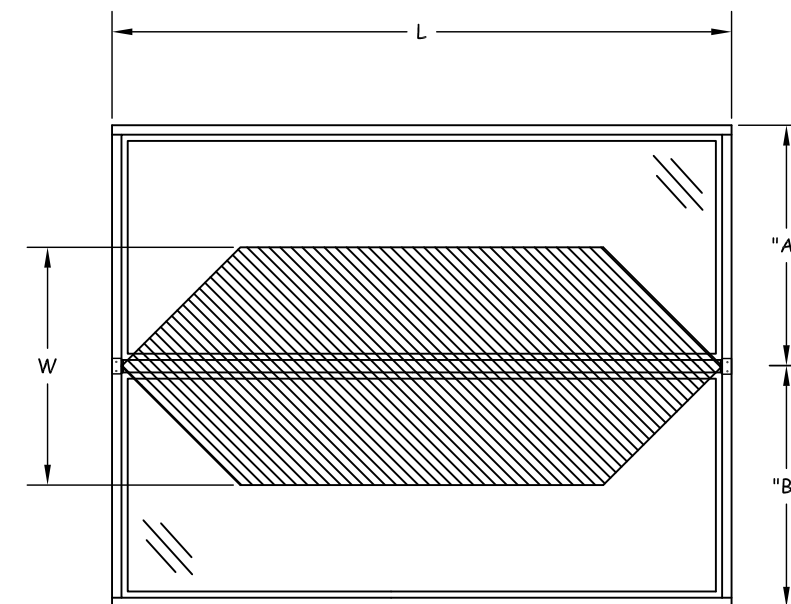
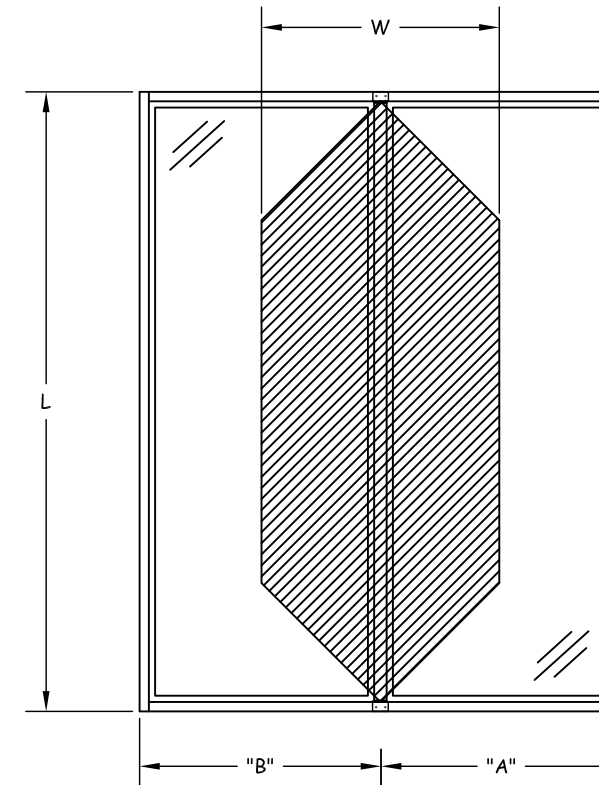
s:\projects\andersen\windows\141-15-1222_reinforced_fg_a_series_mullions\awds\awd099.dwg

MAXIMUM DESIGN PRESSURE CAPACITY CHART (PSF): GROUP V

L - Mull Length (in)	W - Tributary Width (in)												
	18.0	21.0	24.0	27.0	30.0	33.0	36.0	42.0	48.0	54.0	60.0	66.0	72.0
24.0	100.0	100.0	100.0	100.0	100.0	100.0	100.0	100.0	100.0	100.0	100.0	100.0	100.0
30.0	100.0	100.0	100.0	100.0	100.0	100.0	100.0	100.0	100.0	100.0	100.0	100.0	100.0
36.0	100.0	100.0	100.0	100.0	100.0	100.0	100.0	100.0	100.0	100.0	100.0	100.0	100.0
42.0	100.0	100.0	100.0	100.0	100.0	100.0	100.0	100.0	100.0	100.0	100.0	100.0	100.0
48.0	100.0	100.0	100.0	100.0	100.0	100.0	100.0	100.0	100.0	100.0	100.0	100.0	100.0
54.0	100.0	100.0	100.0	100.0	100.0	100.0	100.0	100.0	100.0	100.0	100.0	100.0	100.0
60.0	100.0	100.0	100.0	100.0	100.0	100.0	100.0	100.0	100.0	100.0	100.0	100.0	100.0
66.0	100.0	100.0	100.0	100.0	100.0	100.0	100.0	100.0	100.0	100.0	100.0	100.0	100.0
72.0	100.0	100.0	100.0	100.0	100.0	100.0	100.0	100.0	100.0	100.0	100.0	100.0	100.0
78.0	100.0	100.0	100.0	100.0	100.0	100.0	100.0	100.0	100.0	100.0	100.0	100.0	98.7
84.0	100.0	100.0	100.0	100.0	100.0	100.0	100.0	100.0	100.0	96.9	92.1	88.6	86.3
90.0	100.0	100.0	100.0	100.0	100.0	100.0	100.0	100.0	94.2	87.7	82.9	79.3	76.7
96.0	100.0	100.0	100.0	100.0	100.0	100.0	100.0	94.7	86.3	80.1	75.3	71.8	69.1
102.0	100.0	100.0	100.0	100.0	100.0	100.0	98.7	87.7	79.7	73.7	69.1	65.5	62.8
108.0	100.0	100.0	100.0	100.0	100.0	98.8	92.1	81.7	74.0	68.2	63.8	60.3	57.6
114.0	100.0	100.0	100.0	100.0	100.0	92.7	86.3	76.4	69.1	63.5	59.2	55.8	53.1
120.0	100.0	100.0	100.0	100.0	94.7	87.4	81.3	71.8	64.8	59.4	55.3	52.0	49.3
126.0	100.0	100.0	100.0	98.2	89.6	82.6	76.7	67.7	60.9	55.8	51.8	48.6	46.0
132.0	100.0	100.0	100.0	93.3	85.0	78.3	72.7	64.0	57.6	52.6	48.5	44.9	42.0
138.0	100.0	100.0	98.6	88.0	79.5	72.5	66.8	57.8	51.2	46.1	42.1	38.9	36.3
144.0	100.0	98.8	86.7	77.3	69.8	63.7	58.7	50.8	44.9	40.4	36.9	34.0	31.7

NOTE:

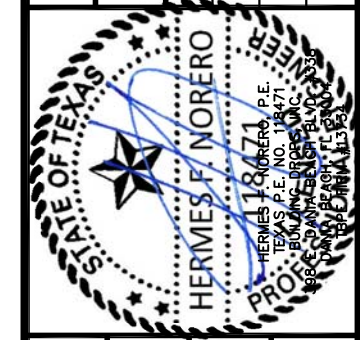
- 1) MULLION CHART APPLIES TO 6-9/16" (ITEM #1B) GROUP V REINFORCED COMPOSITE MULL ASSEMBLIES, WHEN MULLED IN ONE-WAY, STACK OR RIBBON, CONFIGURATIONS.
- 2) DESIGN PRESSURE VALUES ARE POSITIVE AND NEGATIVE IN PSF.
- 3) MAXIMUM DEFLECTION HAS BEEN LIMITED TO L/180.
- 4) DESIGN PRESSURE OF ASSEMBLY IS LIMITED TO THE LESSER DESIGN PRESSURE OF THE MULLION ASSEMBLY OR THE INDIVIDUAL UNIT OF INSTALLATION. ADJACENT WINDOWS OR DOORS SHALL BE UNDER SEPARATE APPROVAL.
- 5) MULLION CHART APPLIES TO THE FOLLOWING INSTALLATION CONDITIONS:
 - GUSSET INSTALLATION TO WOOD OR METAL STUD
 - HALF GUSSET INSTALLATION TO WOOD OR METAL STUD.
- 6) TRIBUTARY WIDTH = $W = (A+B)/2$
- 7) REFER TO SHEETS 8 & 9 FOR INSTALLATION DETAILS.
- 8) WHEN WINDOWS ARE STACKED VERTICALLY, THE MANUFACTURER/INSTALLER SHALL ENSURE THAT THE WEIGHT OF UNITS ABOVE WILL NOT CAUSE DEFLECTIONS OR STRESSES WHICH WILL AFFECT OPERATION OR STRUCTURAL ADEQUACY OF UNITS BELOW.



100 FOURTH AVE NORTH
BAYPORT, MN 55003-1096
PH: (651) 264-5150 FX: (651) 264-5485

TITLE: A SERIES REINFORCED MULLION ASSEMBLY ONE WAY LOAD TABLE: GROUP V
PREPARED BY: BUILDING DROPS, INC. 398 E. DANIA BEACH BLVD. #338 DANIA BEACH, FL 33004
PH: (954) 399-8478 FX: (954) 744-4738

NO.	DESCRIPTION	BY	DATE



DATE: 10.12.15
DWN BY: LMS
CHK BY: HFN
SCALE: NTS

DWG #: **AWD099**
SHEET: **15 OF 20**

3/7/2016 2:56 PM

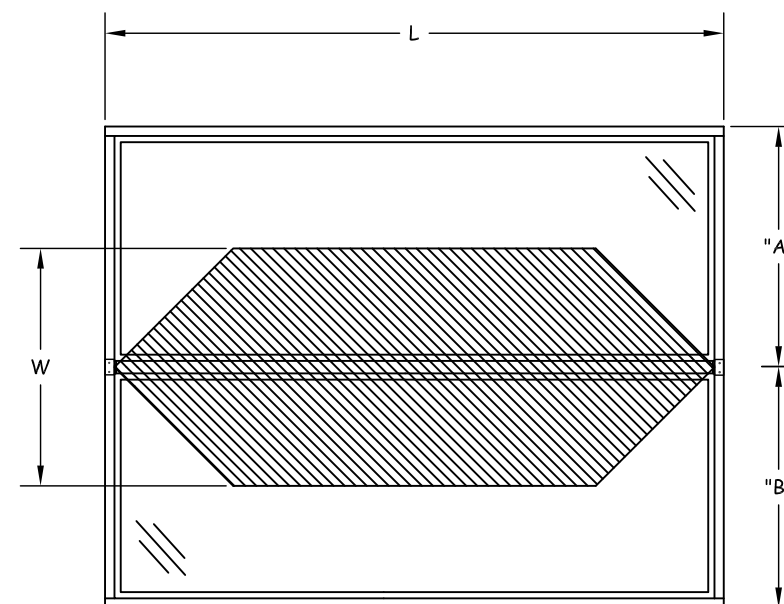
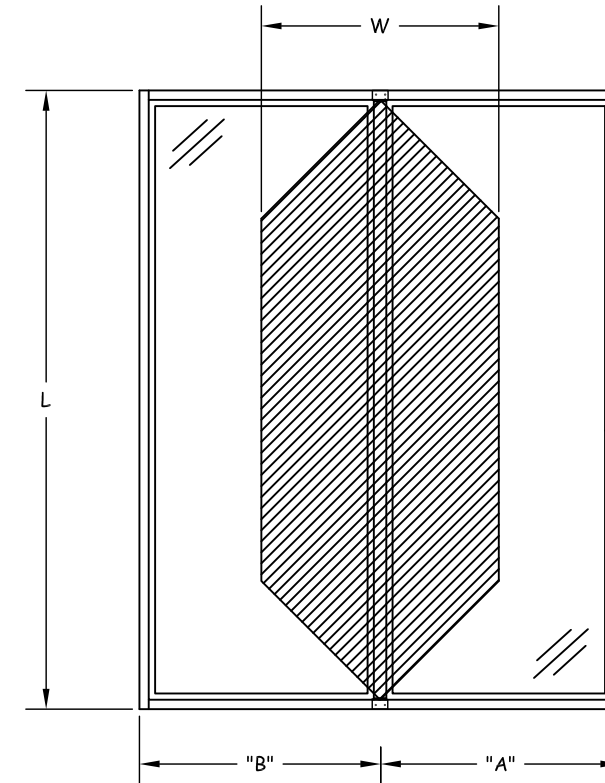
s:\projects\andersen\windows\141-15-1222 reinforced fg a series mullions\awd099.dwg

MAXIMUM DESIGN PRESSURE CAPACITY CHART (PSF): GROUP VI

L - Mull Length (in)	W - Tributary Width (in)												
	18.0	21.0	24.0	27.0	30.0	33.0	36.0	42.0	48.0	54.0	60.0	66.0	72.0
24.0	100.0	100.0	100.0	100.0	100.0	100.0	100.0	100.0	100.0	100.0	100.0	100.0	100.0
30.0	100.0	100.0	100.0	100.0	100.0	100.0	100.0	100.0	100.0	100.0	100.0	100.0	100.0
36.0	100.0	100.0	100.0	100.0	100.0	100.0	100.0	100.0	100.0	100.0	100.0	100.0	100.0
42.0	100.0	100.0	100.0	100.0	100.0	100.0	100.0	100.0	100.0	100.0	100.0	100.0	100.0
48.0	100.0	100.0	100.0	100.0	100.0	100.0	100.0	100.0	100.0	100.0	100.0	100.0	100.0
54.0	100.0	100.0	100.0	100.0	100.0	100.0	100.0	100.0	100.0	100.0	100.0	100.0	100.0
60.0	100.0	100.0	100.0	100.0	100.0	100.0	100.0	100.0	100.0	100.0	100.0	100.0	100.0
66.0	100.0	100.0	100.0	100.0	100.0	100.0	100.0	100.0	100.0	100.0	100.0	100.0	100.0
72.0	100.0	100.0	100.0	100.0	100.0	100.0	100.0	100.0	100.0	100.0	100.0	100.0	100.0
78.0	100.0	100.0	100.0	100.0	100.0	100.0	100.0	100.0	100.0	100.0	100.0	100.0	98.7
84.0	100.0	100.0	100.0	100.0	100.0	100.0	100.0	100.0	100.0	96.9	92.1	88.6	86.3
90.0	100.0	100.0	100.0	100.0	100.0	100.0	100.0	100.0	94.2	87.7	82.9	79.3	76.7
96.0	100.0	100.0	100.0	100.0	100.0	100.0	100.0	94.7	86.3	80.1	75.3	71.8	69.1
102.0	100.0	100.0	100.0	100.0	100.0	100.0	98.7	87.7	79.7	73.7	69.1	65.5	62.8
108.0	100.0	100.0	100.0	100.0	100.0	98.8	92.1	81.7	74.0	68.2	63.8	60.3	57.6
114.0	100.0	100.0	100.0	100.0	100.0	92.7	86.3	76.4	69.1	63.5	59.2	55.8	53.1
120.0	100.0	100.0	100.0	100.0	94.7	87.4	81.3	71.8	64.8	59.4	55.3	52.0	49.3
126.0	100.0	100.0	100.0	98.2	89.6	82.6	76.7	67.7	60.9	55.8	51.8	48.6	46.0
132.0	100.0	100.0	100.0	93.3	85.0	78.3	72.7	64.0	57.6	52.6	48.8	45.7	43.1
138.0	100.0	100.0	98.7	88.8	80.9	74.4	68.6	59.4	52.6	47.4	43.3	40.0	37.3
144.0	100.0	100.0	89.0	79.4	71.7	65.4	60.2	52.1	46.1	41.5	37.8	34.9	32.5

NOTE:

- 1) MULLION CHART APPLIES TO 6-9/16" (ITEM #1B) GROUP VI REINFORCED COMPOSITE MULL ASSEMBLIES, WHEN MULLED IN ONE-WAY, STACK OR RIBBON, CONFIGURATIONS.
- 2) DESIGN PRESSURE VALUES ARE POSITIVE AND NEGATIVE IN PSF.
- 3) MAXIMUM DEFLECTION HAS BEEN LIMITED TO L/180.
- 4) DESIGN PRESSURE OF ASSEMBLY IS LIMITED TO THE LESSER DESIGN PRESSURE OF THE MULLION ASSEMBLY OR THE INDIVIDUAL UNIT OF INSTALLATION. ADJACENT WINDOWS OR DOORS SHALL BE UNDER SEPARATE APPROVAL.
- 5) MULLION CHART APPLIES TO THE FOLLOWING INSTALLATION CONDITIONS:
 - GUSSET INSTALLATION TO WOOD OR METAL STUD
 - HALF GUSSET INSTALLATION TO WOOD OR METAL STUD.
- 6) TRIBUTARY WIDTH = $W = (A+B)/2$
- 7) REFER TO SHEETS 8 & 9 FOR INSTALLATION DETAILS.
- 8) WHEN WINDOWS ARE STACKED VERTICALLY, THE MANUFACTURER/INSTALLER SHALL ENSURE THAT THE WEIGHT OF UNITS ABOVE WILL NOT CAUSE DEFLECTIONS OR STRESSES WHICH WILL AFFECT OPERATION OR STRUCTURAL ADEQUACY OF UNITS BELOW.



100 FOURTH AVE NORTH
BAYPORT, MN 55003-1096
PH: (651) 264-5150 FX: (651) 264-5485

TITLE: A SERIES REINFORCED MULLION ASSEMBLY ONE WAY LOAD TABLE: GROUP VI
PREPARED BY: BUILDING DROPS, INC. 398 E. DANIA BEACH BLVD. #338 DANIA BEACH, FL 33004
PH: (954) 399-8478 FX: (954) 744-4738

REVISIONS	DESCRIPTION	BY	DATE
		NO.	



DATE: 10.12.15
DWN BY: LMS
CHK BY: HFN
SCALE: NTS

DWG #: **AWD099**
SHEET: **16 OF 20**

3/7/2016 2:57 PM

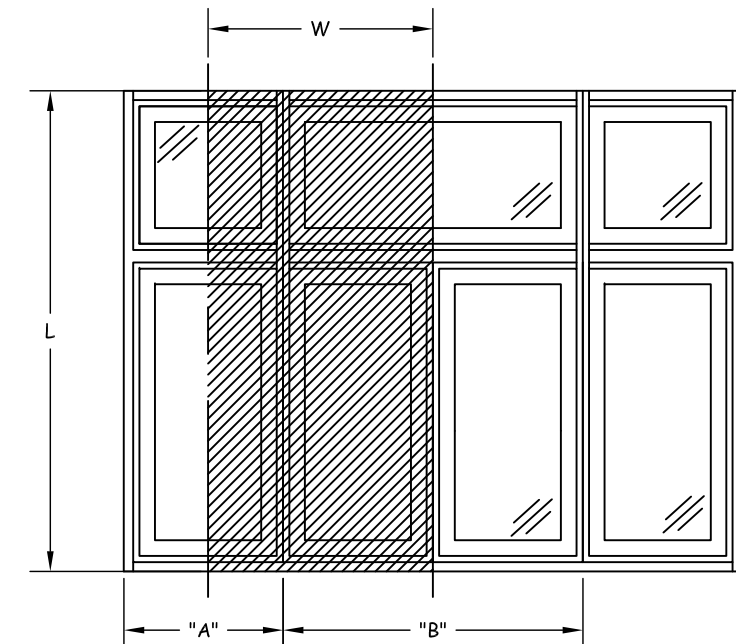
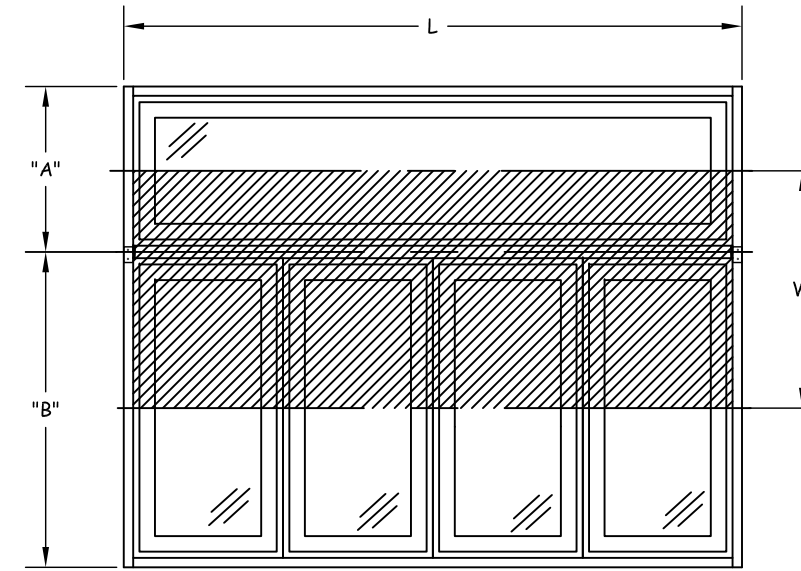
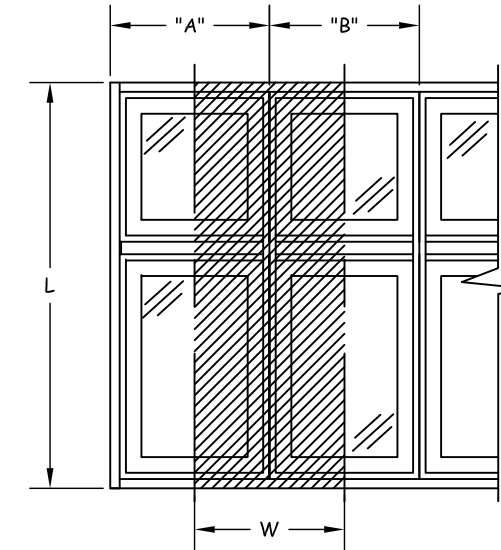
s:\projects\andersen\windows\141-15-1222 reinforced fg a series mullions\awd099.dwg

MAXIMUM DESIGN PRESSURE CAPACITY CHART (PSF): GROUP IV, V, OR VI (TWO-WAY CONFIGURATIONS)

L - Mull Length (in)	W - Tributary Width (in)												
	18.0	21.0	24.0	27.0	30.0	33.0	36.0	42.0	48.0	54.0	60.0	66.0	72.0
24.0	100.0	100.0	100.0	100.0	100.0	100.0	100.0	100.0	100.0	100.0	100.0	100.0	100.0
30.0	100.0	100.0	100.0	100.0	100.0	100.0	100.0	100.0	100.0	100.0	100.0	100.0	100.0
36.0	100.0	100.0	100.0	100.0	100.0	100.0	100.0	100.0	100.0	100.0	100.0	100.0	100.0
42.0	100.0	100.0	100.0	100.0	100.0	100.0	100.0	100.0	100.0	100.0	100.0	100.0	98.7
48.0	100.0	100.0	100.0	100.0	100.0	100.0	100.0	100.0	100.0	100.0	100.0	94.2	86.3
54.0	100.0	100.0	100.0	100.0	100.0	100.0	100.0	100.0	100.0	100.0	92.1	83.7	76.7
60.0	100.0	100.0	100.0	100.0	100.0	100.0	100.0	100.0	100.0	92.1	82.9	75.3	69.1
66.0	100.0	100.0	100.0	100.0	100.0	100.0	100.0	100.0	94.2	83.7	75.3	68.5	62.8
72.0	100.0	100.0	100.0	100.0	100.0	100.0	100.0	98.7	86.3	76.7	69.1	62.8	57.6
78.0	100.0	100.0	100.0	100.0	100.0	100.0	100.0	91.1	79.7	70.8	63.8	58.0	53.1
84.0	100.0	100.0	100.0	100.0	100.0	100.0	98.7	84.6	74.0	65.8	59.2	53.8	49.3
90.0	100.0	100.0	100.0	100.0	100.0	100.0	92.1	78.9	69.1	61.4	55.3	50.2	46.0
96.0	100.0	100.0	100.0	100.0	100.0	94.2	86.3	74.0	64.8	57.6	51.8	47.1	43.2
102.0	100.0	100.0	100.0	100.0	97.5	88.6	81.3	69.6	60.9	54.2	48.8	44.3	40.6
108.0	100.0	100.0	100.0	100.0	92.1	83.7	76.7	65.8	57.6	51.2	46.0	41.9	38.4
114.0	100.0	100.0	100.0	96.9	87.2	79.3	72.7	62.3	54.5	48.5	43.6	39.7	36.4
120.0	100.0	100.0	100.0	92.1	82.9	75.3	69.1	59.2	51.8	46.0	41.4	37.7	34.5
126.0	100.0	100.0	98.7	87.7	78.9	71.8	65.8	56.4	49.3	43.9	39.5	35.9	32.9
132.0	100.0	100.0	90.1	80.1	72.1	65.5	60.1	51.5	45.1	40.0	36.0	32.8	30.0
138.0	100.0	94.2	82.4	73.3	66.0	60.0	55.0	47.1	41.2	36.6	33.0	30.0	27.5
144.0	100.0	86.5	75.7	67.3	60.6	55.1	50.5	43.3	37.9	33.7	30.3	27.5	25.2

NOTE:

- 1) MULLION CHART APPLIES TO 6-9/16" (ITEM #1B) GROUP IV, V, OR VI REINFORCED COMPOSITE MULL ASSEMBLIES, WHEN MULLED IN TWO-WAY, 'X' OR 'T', CONFIGURATIONS.
- 2) DESIGN PRESSURE VALUES ARE POSITIVE AND NEGATIVE IN PSF.
- 3) MAXIMUM DEFLECTION HAS BEEN LIMITED TO L/180.
- 4) DESIGN PRESSURE OF ASSEMBLY IS LIMITED TO THE LESSER DESIGN PRESSURE OF THE MULLION ASSEMBLY OR THE INDIVIDUAL UNIT OF INSTALLATION. ADJACENT WINDOWS OR DOORS SHALL BE UNDER SEPARATE APPROVAL.
- 5) MULLION CHART APPLIES TO THE FOLLOWING INSTALLATION CONDITIONS:
 - V-NOTCH GUSSET INSTALLATION TO WOOD OR METAL STUD
 - HALF GUSSET INSTALLATION TO WOOD OR METAL STUD.
- 6) TRIBUTARY WIDTH = $W = (A+B)/2$
- 7) REFER TO SHEETS 8 OR 9 FOR INSTALLATION DETAILS.
- 8) WHEN WINDOWS ARE STACKED VERTICALLY, THE MANUFACTURER/INSTALLER SHALL ENSURE THAT THE WEIGHT OF UNITS ABOVE WILL NOT CAUSE DEFLECTIONS OR STRESSES WHICH WILL AFFECT OPERATION OR STRUCTURAL ADEQUACY OF UNITS BELOW.



100 FOURTH AVE NORTH
BAYPORT, MN 55003-1096
PH: (651) 264-5150 FX: (651) 264-5485

TITLE: A SERIES REINFORCED MULLION ASSEMBLY TWO WAY LOAD TABLE: GROUP IV, V, VI
PREPARED BY: BUILDING DROPS, INC. 398 E. DANIA BEACH BLVD. #338 DANIA BEACH, FL 33004
PH: (954) 399-8478 FX: (954) 744-4738

REVISIONS	DESCRIPTION	BY	DATE
		NO.	

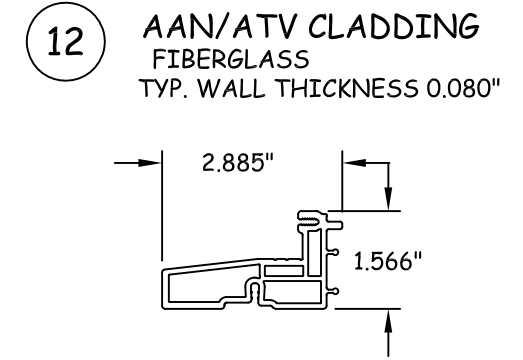
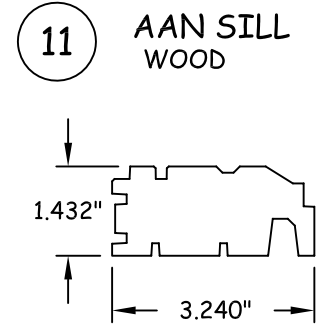
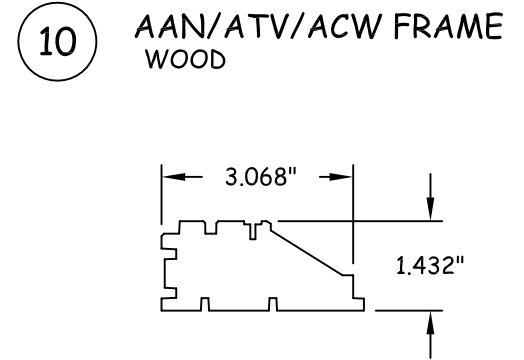
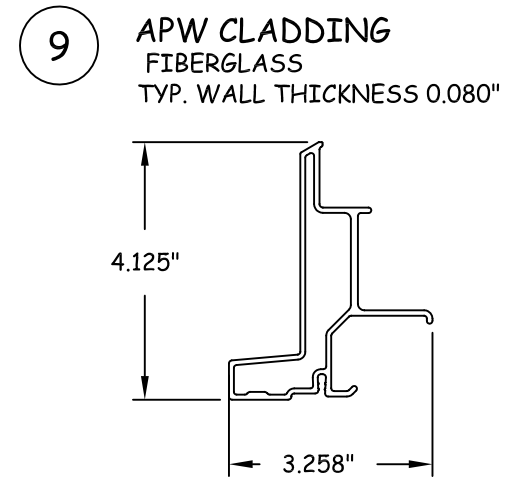
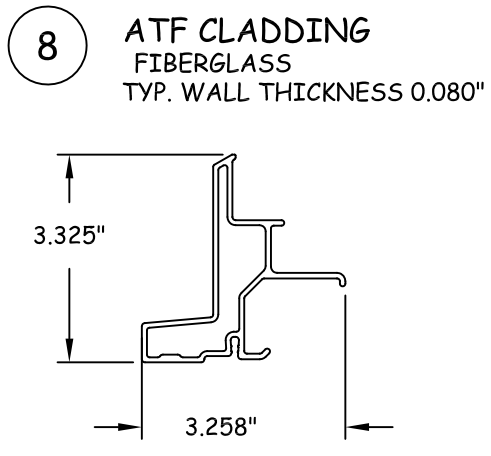
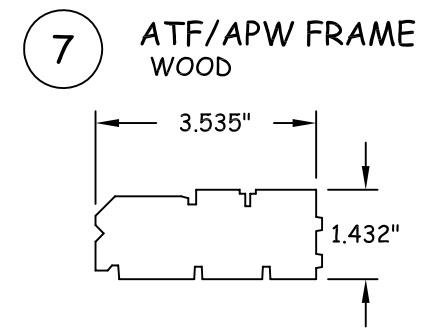
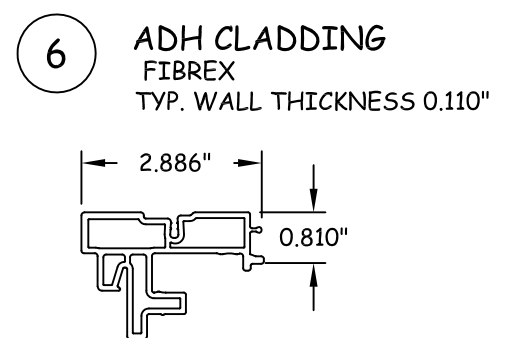
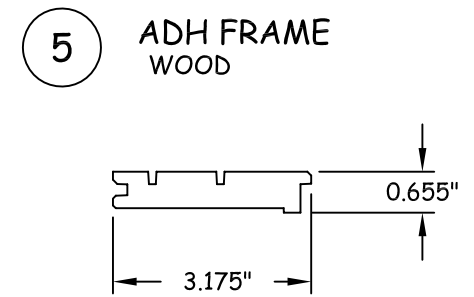
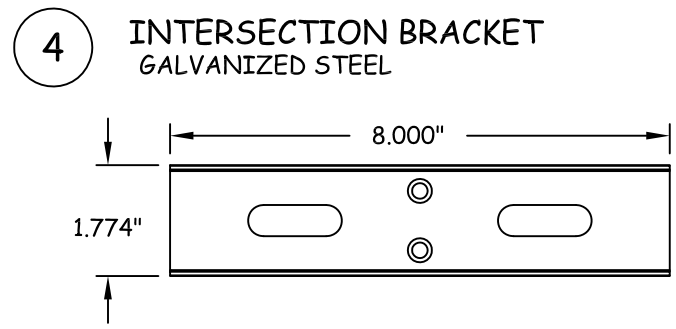
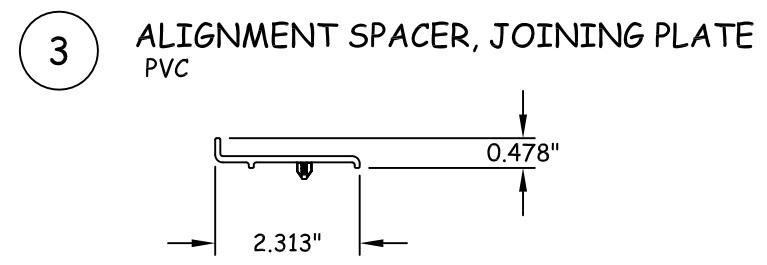
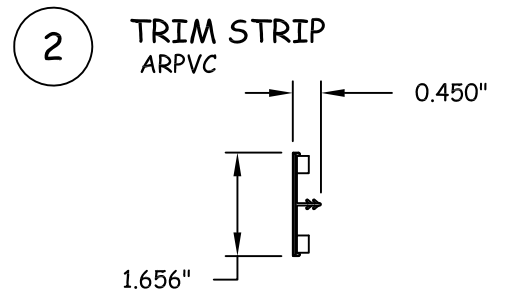
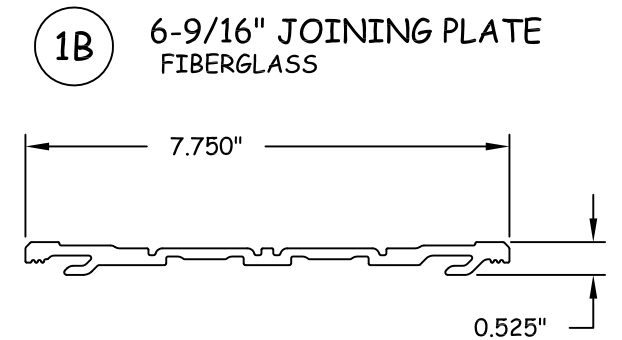
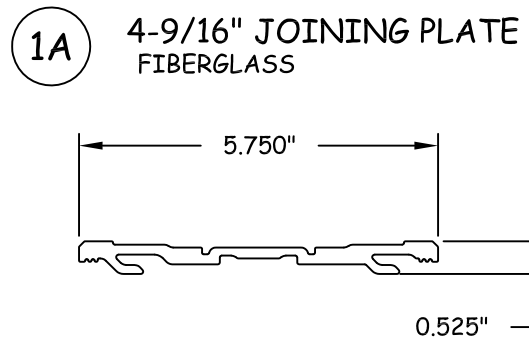


DATE: 10.12.15
DWN BY: LMS
CHK BY: HFN
SCALE: NTS

DWG #: **AWD099**
SHEET: **17 OF 20**

BILL OF MATERIALS

ITEM	DESCRIPTION	MATERIAL	MANUFACTURER
1A	4-9/16" JOINING PLATE	FIBERGLASS	ANDERSEN CORPORATION
1B	6-9/16" JOINING PLATE	FIBERGLASS	ANDERSEN CORPORATION
2	TRIM STRIP	ARPCV	ANDERSEN CORPORATION
3	ALIGNMENT SPACER, JOINING PLATE	PVC	ANDERSEN CORPORATION
4	INTERSECTION BRACKET	GALVANIZED STEEL	ANDERSEN CORPORATION
5	ADH FRAME	WOOD	ANDERSEN CORPORATION
6	ADH CLADDING	FIBREX	ANDERSEN CORPORATION
7	ATF/APW FRAME	WOOD	ANDERSEN CORPORATION
8	ATF CLADDING	FIBERGLASS	ANDERSEN CORPORATION
9	APW CLADDING	FIBERGLASS	ANDERSEN CORPORATION
10	AAN/ATV/ACW FRAME	WOOD	ANDERSEN CORPORATION
11	AAN SILL	WOOD	ANDERSEN CORPORATION
12	AAN/ATV CLADDING	FIBERGLASS	ANDERSEN CORPORATION
13	FWGD HEAD	WOOD	ANDERSEN CORPORATION
14	FWGD JAMBS	WOOD	ANDERSEN CORPORATION
15	FWGD CLADDING	FIBERGLASS	ANDERSEN CORPORATION
16	FWSLT FRAME	WOOD	ANDERSEN CORPORATION
17	FWSLT CLADDING	FIBERGLASS	ANDERSEN CORPORATION
18	FWHID FRAME	WOOD	ANDERSEN CORPORATION
19	FWHID CLADDING	FIBERGLASS	ANDERSEN CORPORATION
20	FWOD FRAME	WOOD	ANDERSEN CORPORATION
21	FWOD CLADDING	FIBERGLASS	ANDERSEN CORPORATION
22	FLEXIFRAME	WOOD	ANDERSEN CORPORATION
23	FLEXIFRAME CLADDING	FIBERGLASS	ANDERSEN CORPORATION
24	FW FRAME	WOOD	ANDERSEN CORPORATION
25	FW CLADDING	6063-T5	ANDERSEN CORPORATION
26	ARCH. FRAME	WOOD	ANDERSEN CORPORATION
27	ARCH. CLADDING	6063-T5	ANDERSEN CORPORATION
28	FWGD CLADDING - JAMB	FIBERGLASS	ANDERSEN CORPORATION
29	END PLUG	GLASS FILLED NYLON	ANDERSEN CORPORATION
30	UNIVERSAL GUSSET, STRAIGHT, 18	GALVANIZED STEEL	ANDERSEN CORPORATION
31	END SEAL	NYLON	ANDERSEN CORPORATION
32	HALF GUSSET, LS SILL, RS HEAD	GALVANIZED STEEL	ANDERSEN CORPORATION
33	HALF GUSSET, RS SILL, LS HEAD	GALVANIZED STEEL	ANDERSEN CORPORATION



100 FOURTH AVE NORTH
BAYPORT, MN 55003-1096
PH: (651) 264-5150 FX: (651) 264-5485

TITLE: A SERIES REINFORCED
MULTION ASSEMBLY
B.O.M. & COMPONENTS
PREPARED BY:
BUILDING DROPS, INC.
398 E. DANIA BEACH BLVD. #338
DANIA BEACH, FL 33004
PH: (954) 399-8478 FX: (954) 744-4738

NO.	DESCRIPTION	REVISIONS	
		BY	DATE

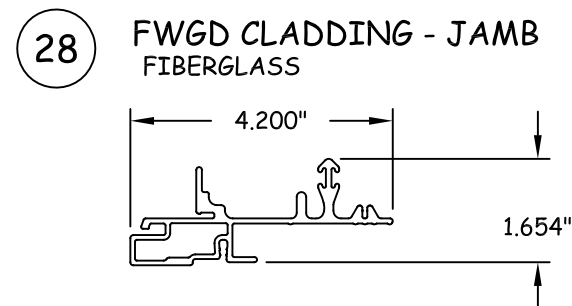
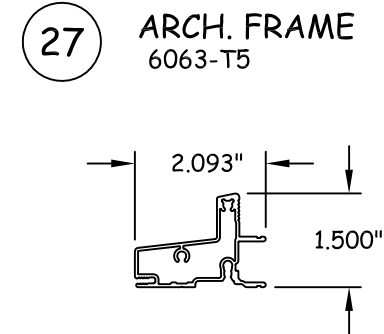
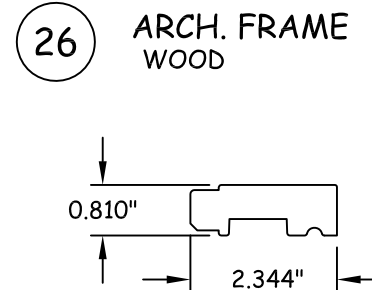
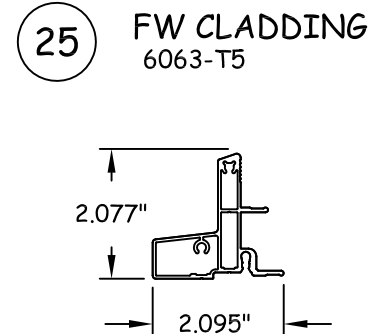
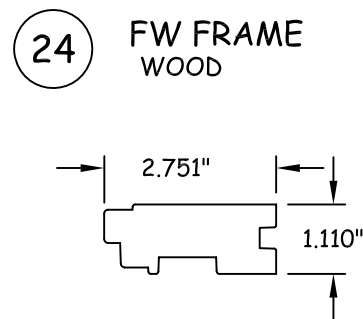
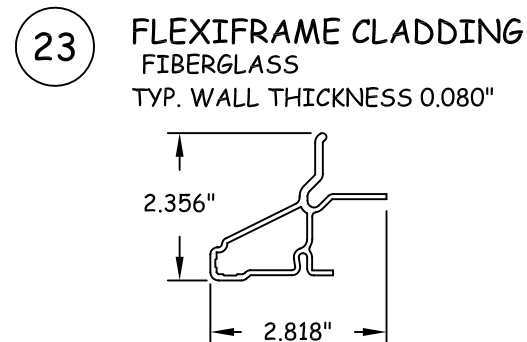
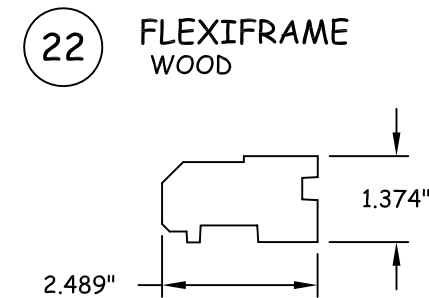
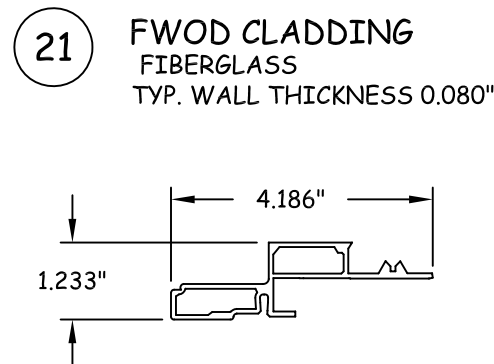
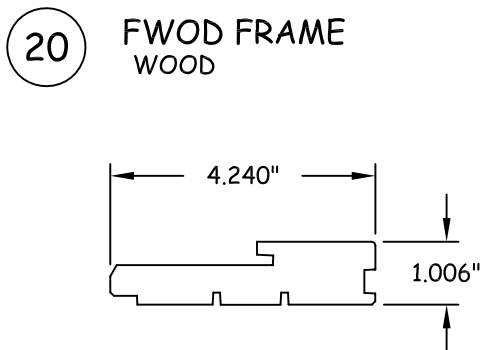
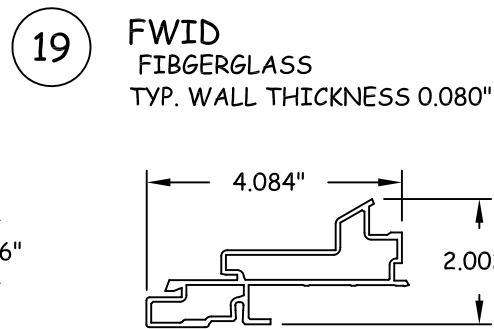
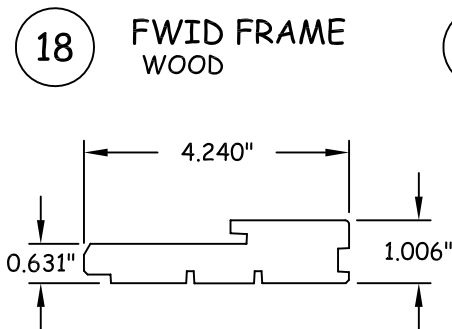
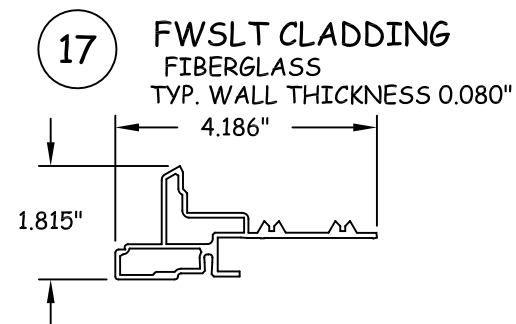
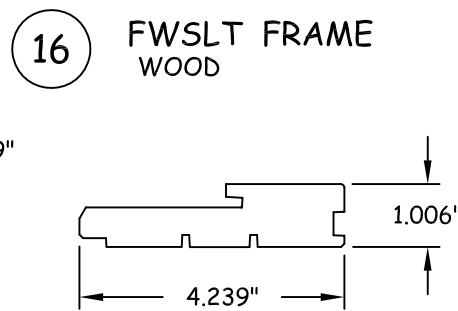
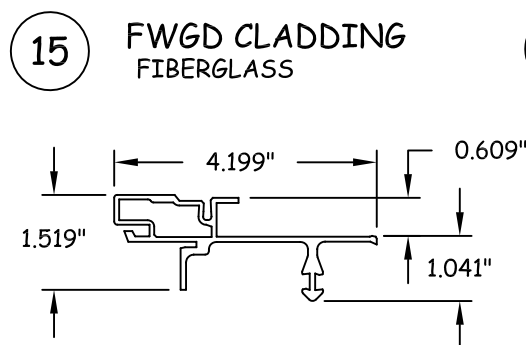
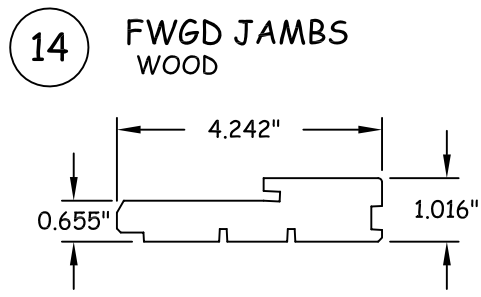
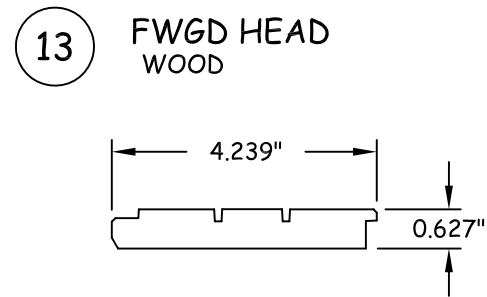


DATE: 10.12.15
DWN BY: LMS
CHK BY: HFN
SCALE: NTS

DWG #: AWD099
SHEET: 18 OF 20

3/7/2016 2:57 PM
s:\projects\andersen\windows\101-15-1222 reinforced fg a series multions\dwgs\awd099.dwg

s:\projects\andersen\windows\141-15-1222 reinforced fg a series mullions\awd099.dwg 3/7/2016 2:57 PM

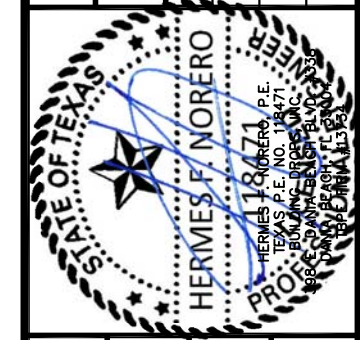


100 FOURTH AVE NORTH
BAYPORT, MN 55003-1096
PH: (651) 264-5150 FX: (651) 264-5485

TITLE: A SERIES REINFORCED
MULLION ASSEMBLY
COMPONENTS (1)

PREPARED BY:
BUILDING DROPS, INC.
398 E. DANIA BEACH BLVD. #338
DANIA BEACH, FL 33004
PH: (954) 399-8478 FX: (954) 744-4738

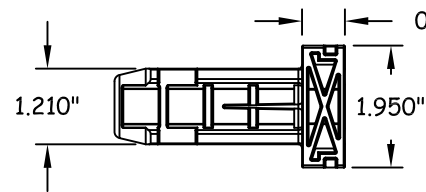
REVISIONS	
NO.	DESCRIPTION



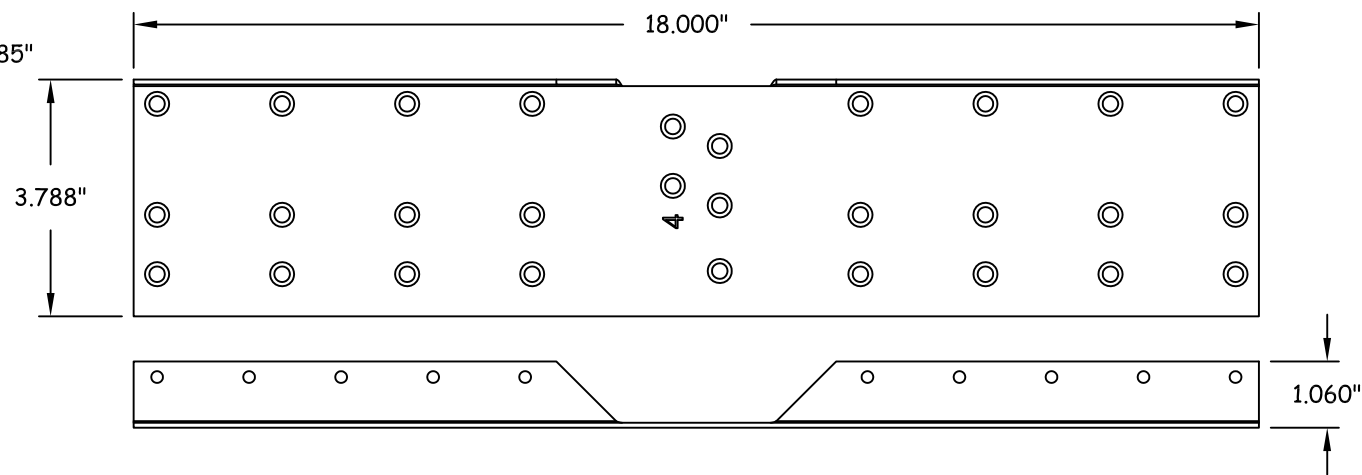
DATE: 10.12.15
DWN BY: LMS
CHK BY: HFN
SCALE: NTS

DWG #: **AWD099**
SHEET: **19 OF 20**

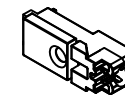
29 END PLUG
GLASS FILLED NYLON



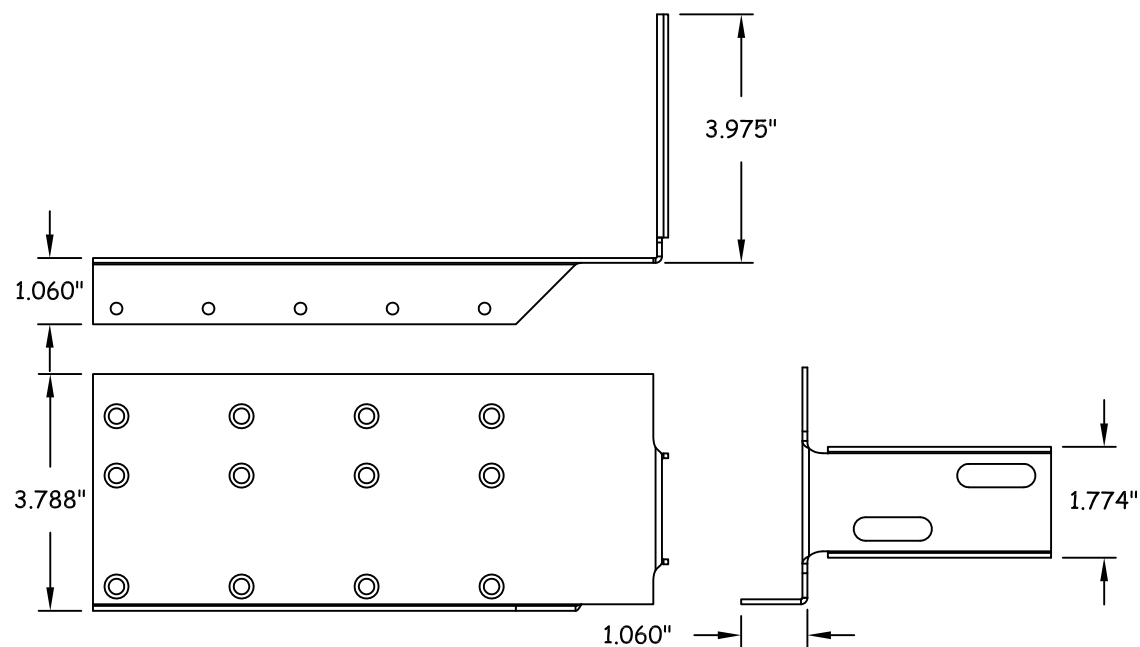
30 UNIVERSAL GUSSET, STRAIGHT, 18
14 GA. GALVANIZED STEEL



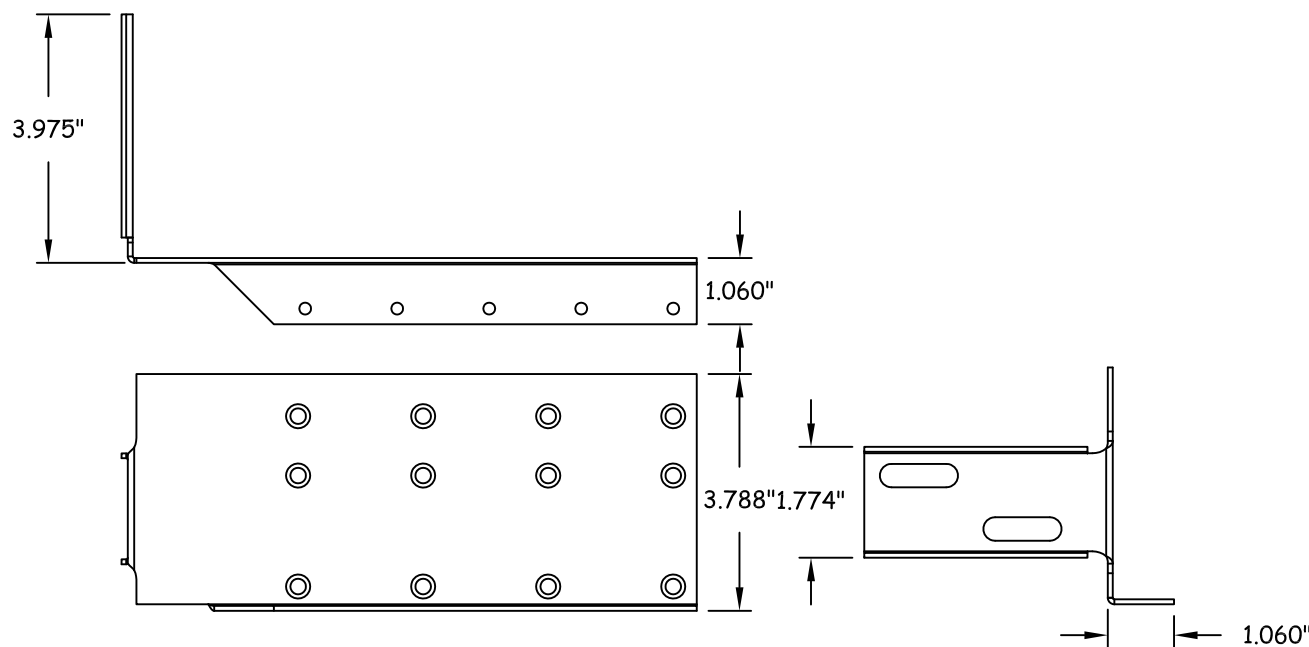
31 END SEAL
NYLON



32 HALF GUSSET, LS SILL, RS HEAD
14 GA. GALVANIZED STEEL



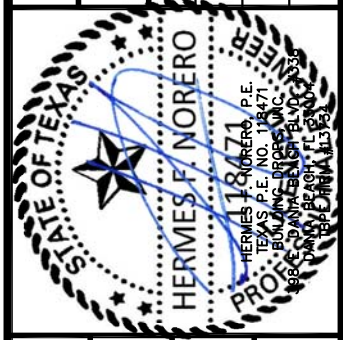
33 HALF GUSSET, RS SILL, LS HEAD
14 GA. GALVANIZED STEEL



100 FOURTH AVE NORTH
BAYPORT, MN 55003-1096
PH: (651) 264-5150 FX: (651) 264-5485

TITLE: A SERIES REINFORCED
MULLION ASSEMBLY
COMPONENTS (2)
PREPARED BY:
BUILDING DROPS, INC.
398 E. DANIA BEACH BLVD. #338
DANIA BEACH, FL 33004
PH: (954) 399-8478 FX: (954) 744-4738

NO.	DESCRIPTION	BY	DATE



DATE: 10.12.15
DWN BY: LMS
CHK BY: HFN
SCALE: NTS

DWG #: **AWD099**
SHEET: **20 OF 20**

s:\projects\andersen windows\141-15-1222 reinforced fg a series mullions\awd099.dwg 3/7/2016 2:57 PM